

# AVANT<sup>®</sup> 423

**Varaosakirja  
Parts Manual  
Dellista  
Ersatzteilliste**



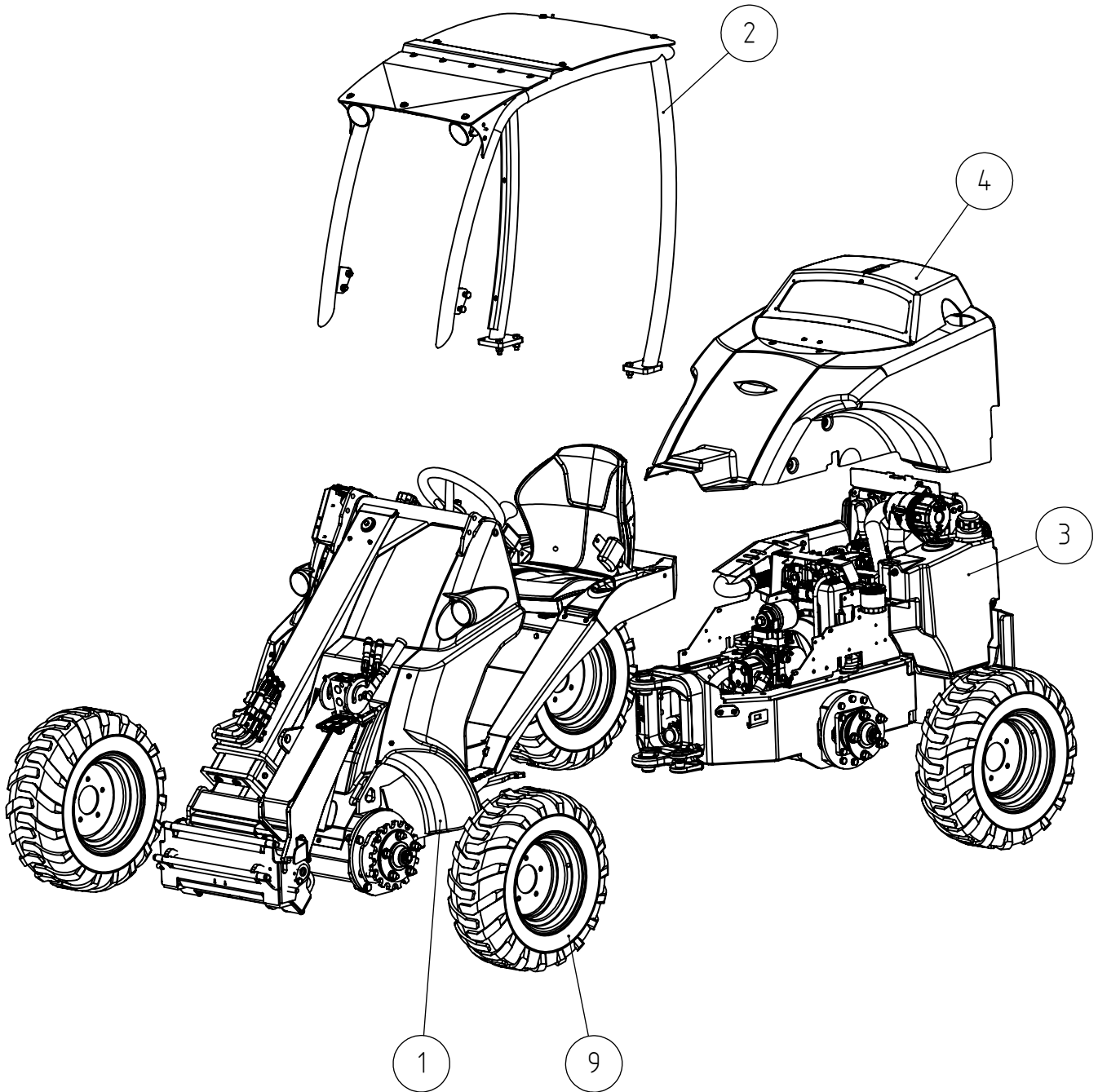
8.4.2024

---

# Table Of Contents

<b>A424315</b>	<b>AVANT 423</b>		<b>4</b>
<b>A1371</b>	<b>FRONT FRAME, ASSEMBLY, 420</b>		<b>6</b>
<b>A33295</b>	<b>PARKING BRAKE, COMPLETE</b>		<b>8</b>
<b>A410589</b>	<b>HYDRAULIC OIL COOLER</b>		<b>10</b>
<b>A34281</b>	<b>CONTROL VALVE COMPLETE 420 HDS11/4</b>		<b>12</b>
<b>A34377</b>	<b>COVER PLATES, FRONT, 420</b>	<b>*ABS</b>	<b>14</b>
<b>A35661</b>	<b>COVER PLATES HD, KIT, FRONT, 400 SERIES</b>	<b>*PC/HD, optional extra</b>	<b>16</b>
<b>A410899</b>	<b>DRIVE PEDAL, ASSEMBLY</b>		<b>18</b>
<b>A21359</b>	<b>TELESCOPIC BOOM 400 SERIES</b>		<b>20</b>
<b>A427554</b>	<b>INNER BOOM ASSEMBLY 400 SERIES</b>		<b>22</b>
<b>65252</b>	<b>MULTI CONNECTOR, ON LOADER</b>		<b>24</b>
<b>A410964</b>	<b>STEERING COLUMN, ASSEMBLY</b>		<b>26</b>
<b>A34484</b>	<b>HYDR. HOSES, ORBITROL</b>		<b>28</b>
<b>A410940</b>	<b>SAFETY FRAME, COMPLETE</b>		<b>30</b>
<b>A425709</b>	<b>REAR FRAME ASSEMBLY AVANT 423</b>		<b>32</b>
<b>A21740</b>	<b>REAR FRAME</b>		<b>34</b>
<b>A37449</b>	<b>ARTICULATION JOINT ASSEMBLY REAR FRAME</b>		<b>36</b>
<b>A422702</b>	<b>RADIATOR 423/523, D902, ASSEMBLY</b>		<b>38</b>
<b>A48669</b>	<b>FUEL TANK 20 L, COMPLETE</b>		<b>40</b>
<b>A37475</b>	<b>MOUNTING BRACKETS, COVER PLATES REAR CHA</b>		<b>42</b>
<b>A37338</b>	<b>ENGINE D902 ASSEMBLY</b>		<b>44</b>
<b>66511</b>	<b>DIESEL ENGINE KUBOTA D902 WITHOUT</b>		<b>46</b>
<b>A422594</b>	<b>FLYWHEEL HOUSING D902</b>		<b>48</b>
<b>A37374</b>	<b>EXHAUST MUFFLER ASSEMBLY D902 423/523</b>		<b>50</b>
<b>A455463</b>	<b>HYDRAULIC MANIFOLD ASSEMBLY 400 SERIES</b>		<b>52</b>
<b>A438936</b>	<b>HYDRAULIC MOTOR REAR ASSEMBLY OMSW315</b>		<b>54</b>
<b>A433806</b>	<b>HYDRAULIC PUMPS ASSEMBLY AVANT 423</b>		<b>56</b>
<b>A37489</b>	<b>COVER PLATES REAR CHASSIS 420-523, KIT</b>	<b>*ABS</b>	<b>58</b>
<b>A426056</b>	<b>COVER PLATES POLYCARB REAR CHASSIS</b>	<b>*PC/HD, optional extra</b>	<b>60</b>
<b>A34544</b>	<b>HYDR. HOSES, DRIVE CIRCUIT, O-LOCK FITTI</b>		<b>62</b>
<b>A411445</b>	<b>ELECTRIC COMPONENTS</b>		<b>64</b>
<b>A430878</b>	<b>DECAL KIT AVANT 423</b>		<b>66</b>
<b>A428313</b>	<b>DECAL KIT 400-800 SERIES</b>		<b>68</b>
<b>A434045</b>	<b>CONTROL VALVE 6-FUNCT JOYSTICK 400/500</b>	<b>*From XXXXX1916</b>	<b>70</b>
<b>A430922</b>	<b>CONTROL VALVE 6-FUNCT JOYSTICK 400/500</b>		<b>72</b>
<b>A47773</b>	<b>BOOM FLOATING, MACHINE WITHOUT SELF</b>		<b>74</b>
<b>A36878</b>	<b>ATTACHMENT CONTROL SWITCH PACK</b>		<b>76</b>
<b>A35881</b>	<b>REAR AUX. HYDR. OUTLET, DOUBLE ACTING</b>		<b>78</b>
<b>A411326</b>	<b>DRIVE RELEASE VALVE 400 SERIES</b>		<b>80</b>
<b>A34753</b>	<b>ANTI SLIP VALVE 400 SERIES</b>		<b>82</b>
<b>A33916</b>	<b>WORK LIGHT KIT, 3 LED LIGHTS 700 LUMEN</b>		<b>84</b>
<b>A34614</b>	<b>ROAD TRAFFIC LIGHT KIT 400 SERIES</b>		<b>86</b>
<b>A444002</b>	<b>CAB L, 400 SERIES</b>		<b>88</b>
<b>A444057</b>	<b>WINDSCREEN WIPER ASSEMBLY CAB L 400</b>		<b>90</b>
<b>A425277</b>	<b>ENGINE BLOCK HEATER, KIT, 423/523</b>		<b>92</b>

# A424315 AVANT 423



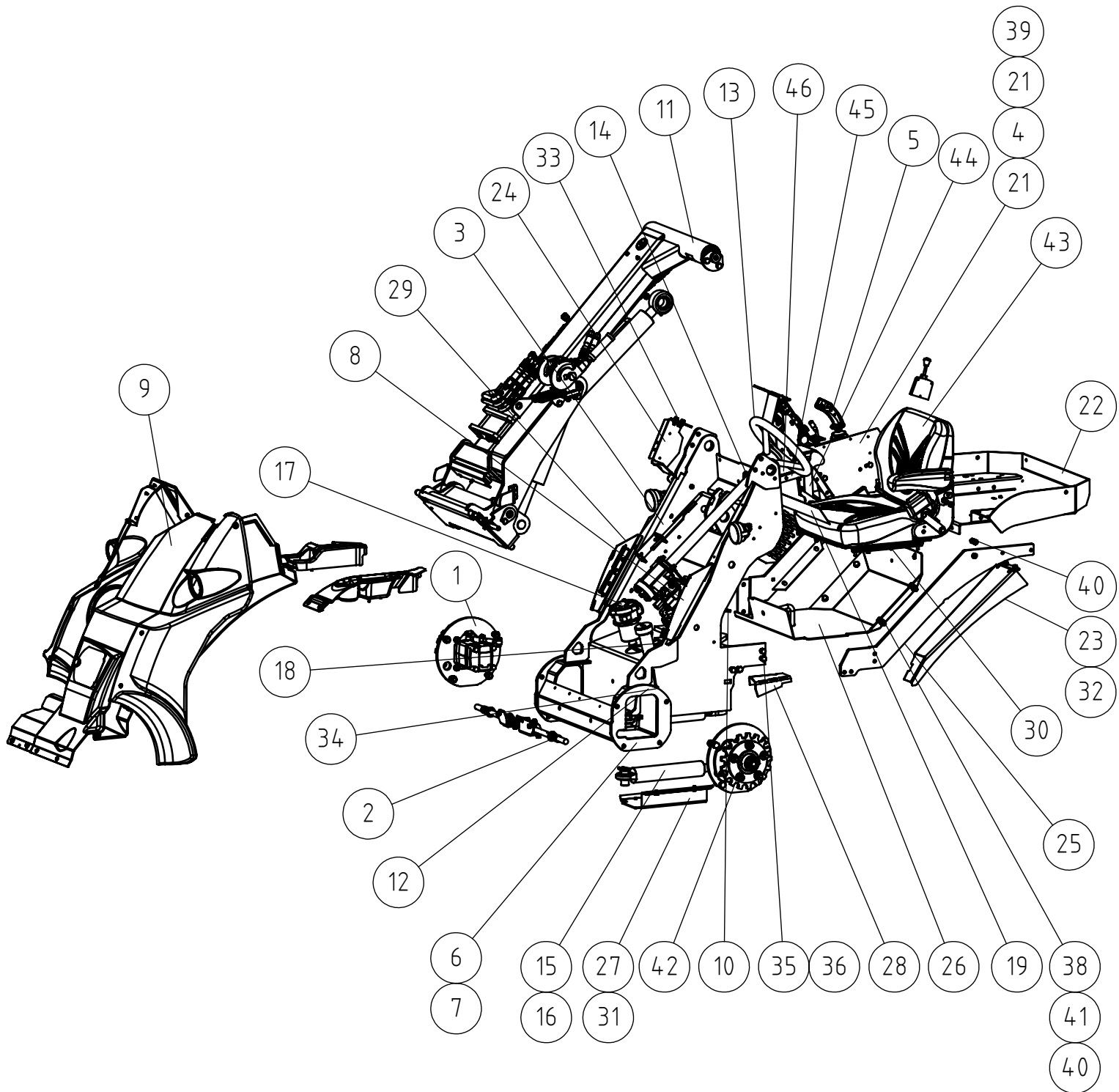
8.4.2024

**A424315 AVANT 423**

REF	PART NO	QTY	DESCRIPTION	NOTES	PAGE
1	A1371	1	FRONT FRAME, ASSEMBLY, 420		6
2	A410940	1	SAFETY FRAME, COMPLETE		30
3	A425709	1	REAR FRAME ASSEMBLY AVANT 423		32
4*	A37489	1	COVER PLATES REAR CHASSIS 420-523, KIT	ABS	58
4**	A426056	1	COVER PLATES POLYCARB REAR CHASSIS	PC/HD, optional extra	60
5	A34544	1	HYDR. HOSES, DRIVE CIRCUIT, O-LOCK FITTI		62
6	A411445	1	ELECTRIC COMPONENTS		64
7	A430878	1	DECAL KIT AVANT 423		66
8	A428313	1	DECAL KIT 400-800 SERIES		68
9	65995	4	WHEEL 23*8.50-12 TRACTOR 5- HOLE RIM		-
10	A410307	1	FRAME LOCK		-
11	71727	1	LINCH PIN 9,5 MM		-

8.4.2024

# A1371 FRONT FRAME, ASSEMBLY, 420



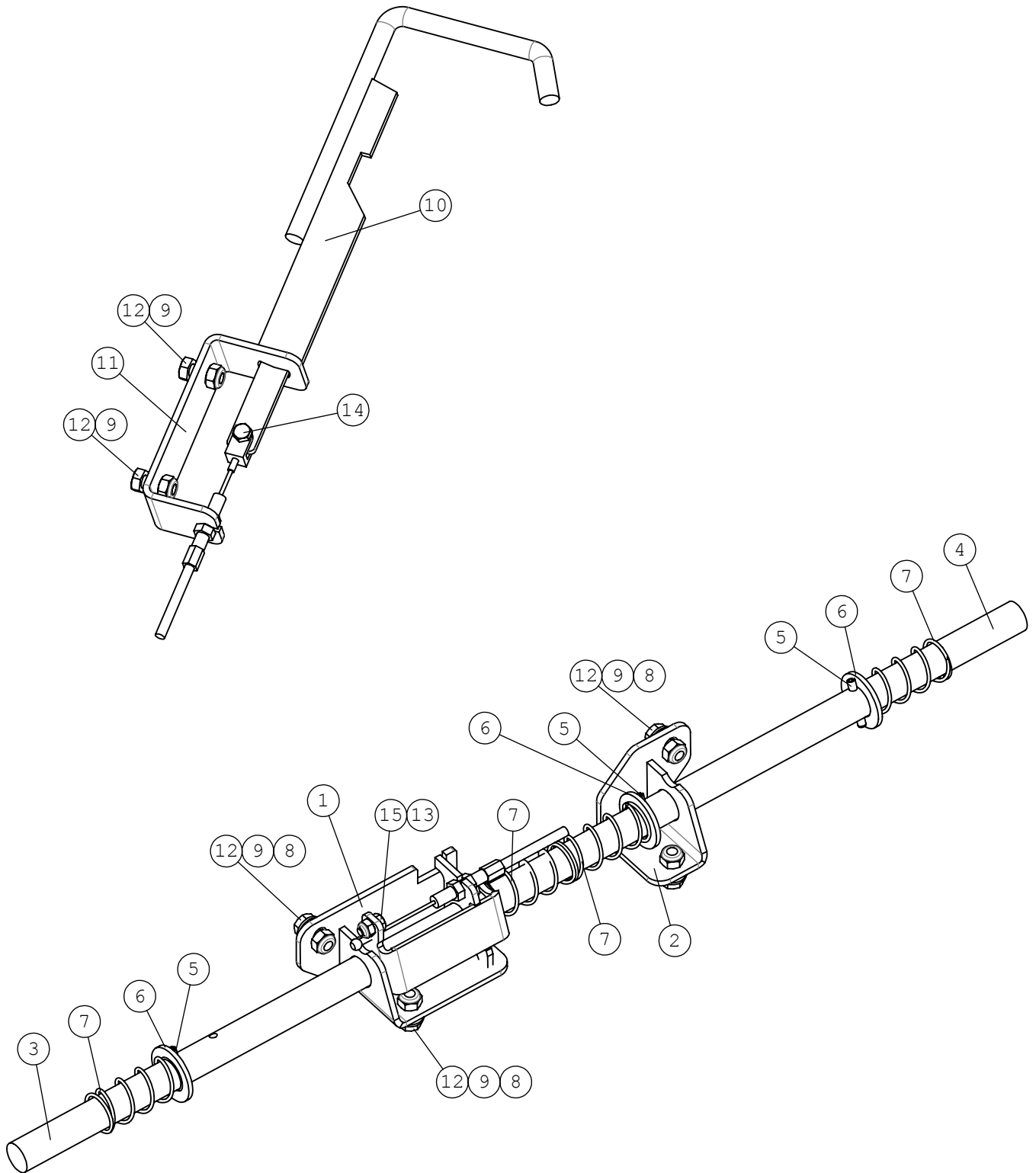
8.4.2024

**A1371 FRONT FRAME, ASSEMBLY, 420**

REF	PART NO	QTY	DESCRIPTION	NOTES	PAGE
1	A438946	1	HYDRAULIC MOTOR FRONT RIGHT ASSEMBLY		-
2	A33295	1	PARKING BRAKE, COMPLETE		8
3	A410589	1	HYDRAULIC OIL COOLER		10
4	A47389	1	BAR, RIGHT		-
5	A34281	1	CONTROL VALVE COMPLETE 420 HDS11/4		12
6	A21345	1	FRONT FRAME		-
7	A48010	1	DIPSTICK L=230 HYDR. OIL R1 1/4"		-
8	A410859	1	SIDE PLATE, LEFT		-
9*	A34377	1	COVER PLATES, FRONT, 420	ABS	14
9**	A35661	1	COVER PLATES HD, KIT, FRONT, 400 SERIES	PC/HD, optional extra	16
10	A410899	1	DRIVE PEDAL, ASSEMBLY		18
11	A21359	1	TELESCOPIC BOOM 400 SERIES		20
12	64352	1	HEXAGONAL DRAIN PLUG, MAGNETIC R 1/2		-
13	A410964	1	STEERING COLUMN, ASSEMBLY		26
14	A412961	1	GROMMET		-
15	A42791	1	HYDR. CYL. F50/F30-172 ARTICULATION		-
15.1	65001	1	SEAL KIT 50/30 CYLINDER (A42791)		-
16	A47655	1	PIVOT PIN F30-60		-
17	64176	1	HYDRAULIC OIL FILTER, RETURN, OMTF 75-20		-
17.1	A427821	1	SEAL KIT HYDRAULIC RETURN OIL FILTER		-
18	64167	1	ELBOW FITTING 90 DEGR. C40XS18-3/4"		-
19	A410993	1	DECAL WARNINGS 420		-
20	A34484	1	HYDR. HOSES, ORBITROL		28
21	A415827	1	SIDE PLATE, 400 SERIES		-
22	A48246	1	SEAT BASE		-
23	A47531	1	EDGE PLATE		-
24	A410734	1	BRACKET, HOSES		-
25	A47834	1	BAR, LEFT		-
26	A410877	1	FLOOR PLATE		-
27	A410792	1	BELLY PLATE		-
28	A410793	1	FOOTBOARD		-
29	A410857	1	SIDE PLATE, RIGHT		-
30	72132	11	HEXAGONAL SCREW M 8*25 DIN 933 ZN		-
31	72128	4	HEXAGONAL SCREW M 8*12 DIN 933 ZN		-
32	73122	8	WASHER M8 A8,4 DIN 125 ZN		-
33	72320	15	HEXAGONAL NUT M8 NYLOC DIN 985		-
34	73047	1	USIT SEAL RING R/12"		-
35	73058	6	HEXAGONAL SCREW M 12*40 DIN 933 ZN		-
36	72324	6	HEXAGONAL NUT M 12 NYLOC DIN 985		-
37	72133	4	HEXAGONAL SCREW M8*30 DIN 933		-
38	72151	7	HEXAGONAL SCREW M10*30 DIN 933 ZN		-
39	74505	1	HEXAGONAL SCREW M10*35 DIN 933 ZN		-
40	72322	8	HEXAGONAL NUT M 10 NYLOC DIN 985		-
41	73121	8	WASHER M10 A10,5 DIN 125 ZN		-
42	A438943	1	HYDRAULIC MOTOR FRONT LEFT ASSEMBLY		-
43	A449720	1	SEAT WITH SUSPENSION VINYL B12		-
44	A454062	1	ARMREST RIGHT 400-700 SERIES ROPS		-
45	A459003	1	PANEL CONTROL LEVERS 423 / 523		-
46	A457620	1	DECAL CONTROLS 400 SERIES		-

8.4.2024

# A33295 PARKING BRAKE, COMPLETE



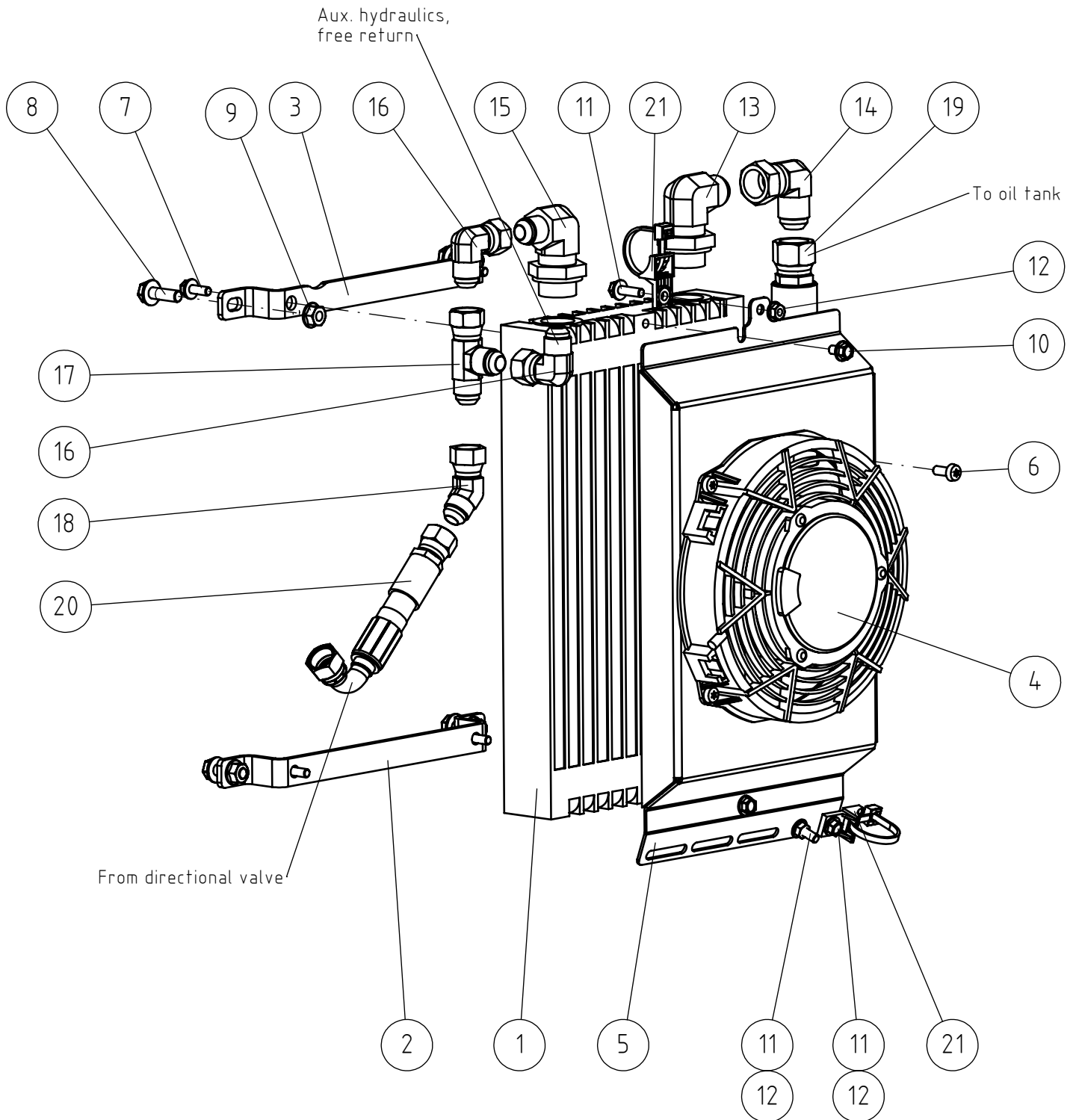


8.4.2024

**A33295 PARKING BRAKE, COMPLETE**

REF	PART NO	QTY	DESCRIPTION	NOTES	PAGE
1	A47006	1	BRACKET, LEFT, PARKING BRAKE		-
2	A47007	1	BRACKET, RIGHT, PARKING BRAKE		-
3	A47012	1	LOCKING PIN, LEFT, PARKING BRAKE		-
4	A47011	1	LOCKING PIN, RIGHT, PARKING BRAKE		-
5	71792	4	SPRING COTTER PIN 5*32		-
6	73123	3	WASHER M20 DIN 125 ZN		-
7	64138	4	COMPRESSION SPRIG DIN 2098 2*25*135		-
8	73122	4	WASHER M8 A8,4 DIN 125 ZN		-
9	72320	6	HEXAGONAL NUT M8 NYLOC DIN 985		-
10	A47090	1	LATCH, PARKING BRAKE		-
11	A47087	1	BRACKET, PARKING BRAKE		-
12	72130	6	HEXAGONAL SCREW M8*20		-
13	72318	2	HEXAGONAL NUT M 6 DIN 985 NYLOC		-
14	72118	1	HEXAGONAL SCREW M6*20 DIN 933		-
15	72116	1	HEXAGONAL SCREW M 6*12 DIN 933 ZN		-
16	A47095	1	PARKING BRAKE WIRE L=1090/980		-

# A410589 HYDRAULIC OIL COOLER

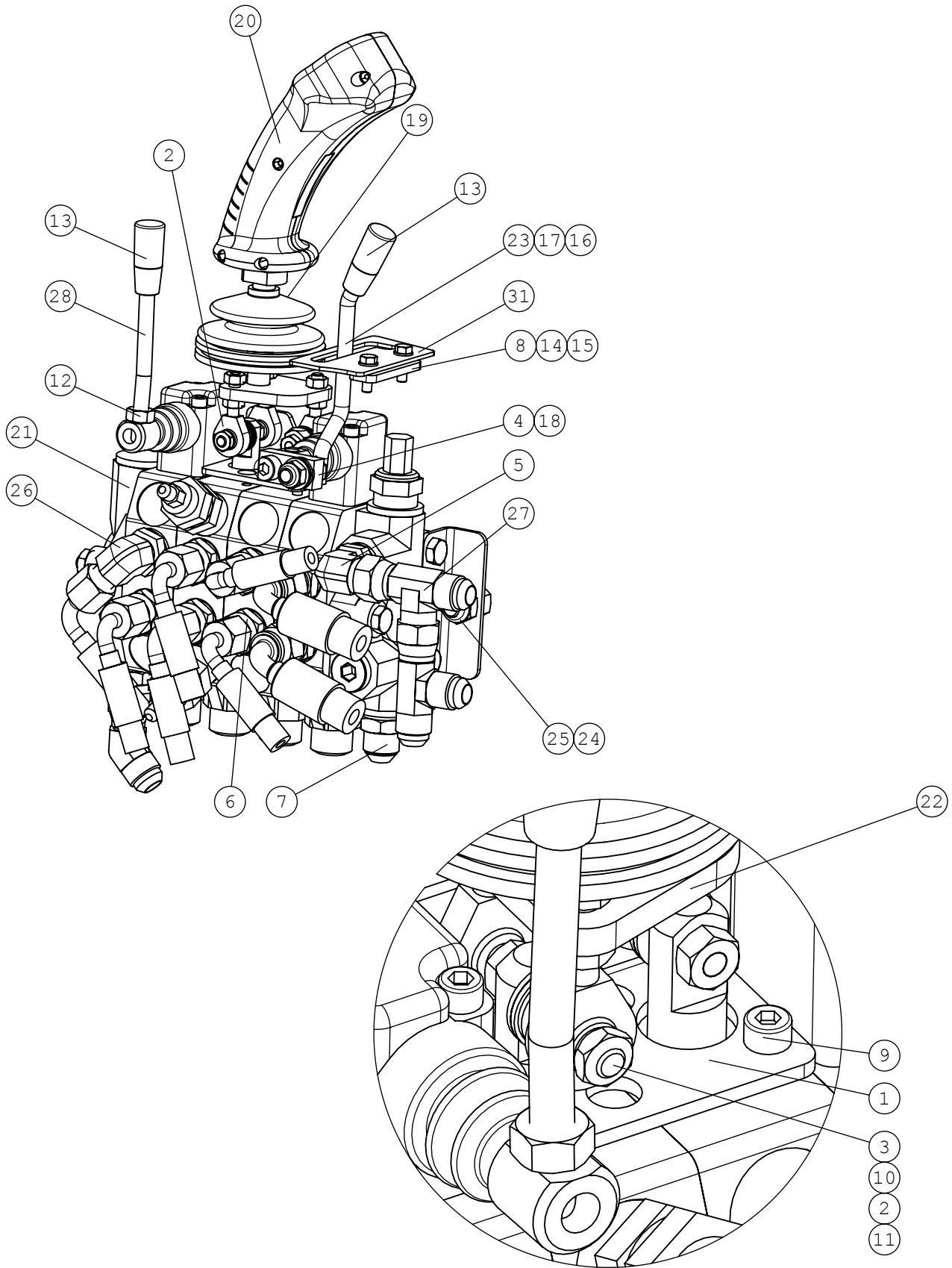


8.4.2024

**A410589 HYDRAULIC OIL COOLER**

REF	PART NO	QTY	DESCRIPTION	NOTES	PAGE
1	64939	1	OIL COOLER CELL 350*205*45		-
2	A410586	1	BRACKET, LOWER, OIL COOLER		-
3	A410587	1	BRACKET, UPPER, OIL COOLER		-
4	64778	1	FAN 12VDC F190		-
5	A410590	1	FRAME, OIL COOLER		-
6	75129	4	THREAD-FORMING SCREW M6*16 DIN 7500C		-
7	A431967	4	HEXAGONAL SERRATED SCREW M6*16 W. FLANG		-
8	A429202	4	HEXAGONAL SERRATED SCREW M8*25 WITH FLAN		-
9	A450046	4	HEXAGONAL NUT M8 WITH FLANGE		-
10	A431969	2	HEXAGONAL SERRATED SCREW M6*10 W. FLANG		-
11	A431349	3	HEXAGONAL SERRATED SCREW M6*20 W. FLANG		-
12	A452923	3	HEXAGONAL NUT M6 DIN 6923		-
13	64693	1	ELBOW FITTING 90 DEGR. C40XS16-3/4"		-
14	64306	1	ELBOW FITTING 90 DEGR. C6XS16		-
15	64914	1	ELBOW FITTING C40XS12-3/4 90DEGREES		-
16	64134	2	ELBOW FITTING 90 DEGR. C6XS12		-
17	64050	1	L-FITTING BODY R6XS12		-
18	64884	1	ELBOW FITTING 45 DEGR. V6SX12		-
19	A48897	1	HYDR. HOSE L=950		-
20	A47729	1	HYDR. HOSE L=550 1LW-08 JIC12-JIC12 90		-
21	A442639	2	CABLE TIE 7,6*390 M6 BLACK		-

# A34281 CONTROL VALVE COMPLETE 420 HDS11/4



8.4.2024

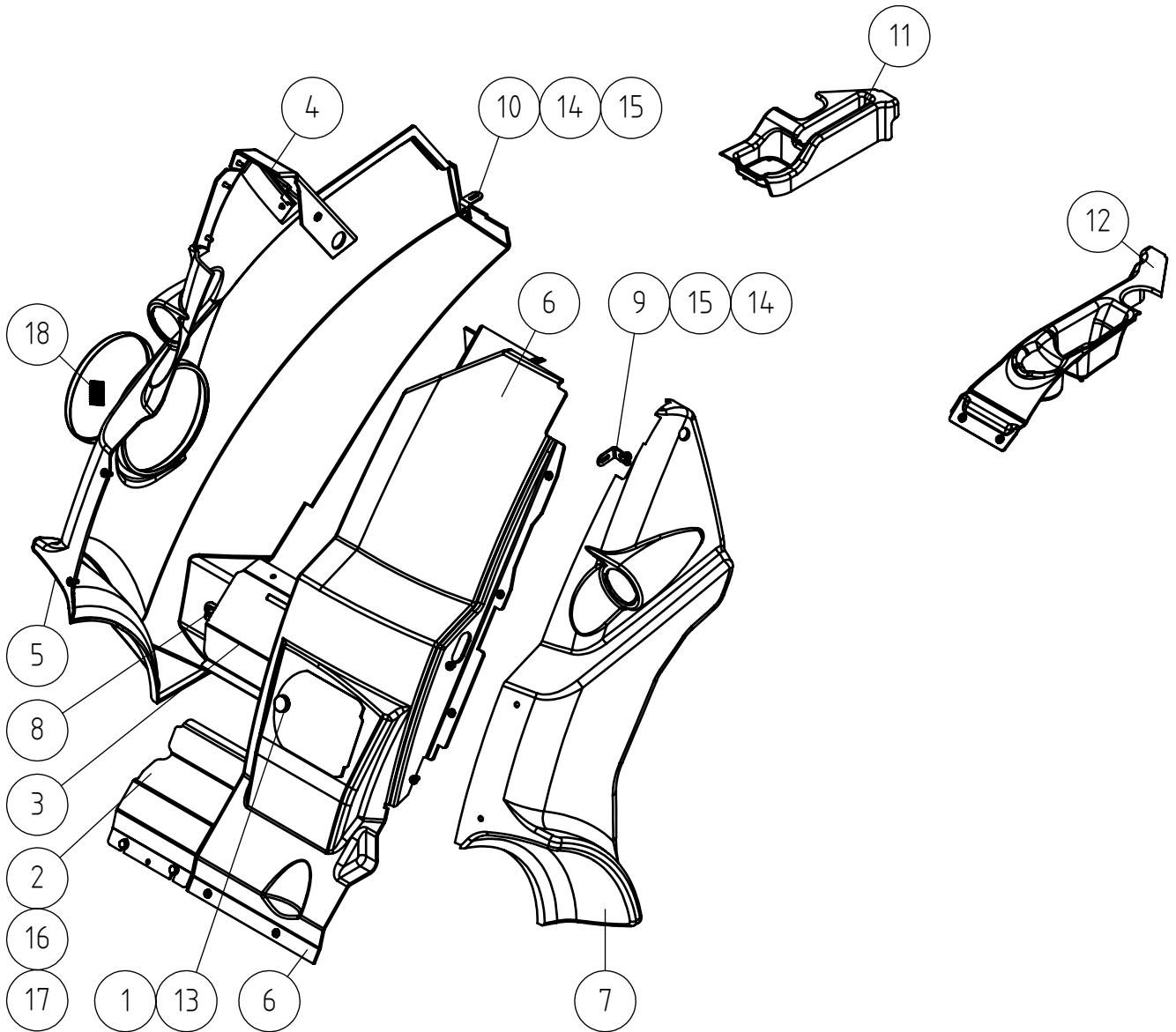
**A34281 CONTROL VALVE COMPLETE 420 HDS11/4**

REF	PART NO	QTY	DESCRIPTION	NOTES	PAGE
1	A42838	1	BRACKET, LINKAGE CONTROL LEVER		-
2	63690	3	ROD END BEARING ASAHI JAM 6		-
3	A41821	2	PIN, CONTROL LEVERS		-
4	A43092	1	CONNECTING PIECE, CONTROL LEVER		-
5	64068	1	ELBOW FITTING 90 DEGR. C40XS12-3/8 /8		-
6	64041	5	BASIC FITTING F40XS10-3/8 /8		-
7	64042	4	BASIC FITTING F40XS12-3/8 /8		-
8	A48360	1	LOCKING PIECE		-
9	74472	2	HEXAGONAL HEAD SCREW M 5*16 DIN 912 ZN		-
10	A41822	2	LEVERAGE NUT M 6		-
11	63944	2	WASHER, PAIR, NORD-LOCK M8		-
12	72319	1	HEXAGONAL NUT M8 DIN 934		-
13	74761	3	KNOB, CONTROL LEVER		-
14	72110	2	HEX. SCREW M5*16 DIN 933		-
15	74448	2	WASHER M5 A5,3 DIN 125 ZN		-
16	73122	2	WASHER M8 A8,4 DIN 125 ZN		-
17	72320	1	HEXAGONAL NUT M8 NYLOC DIN 985		-
18	74481	1	HEXAGONAL HEAD SCREW M8*20 DIN 912 ZN		-
19	74327	1	RUBBER COVER, CONTROL LEVER, F12/56*40		-
20	A410556	1	JOYSTICK HANDLE HB000		-
21	A410613	1	CONTROL VALVE HDS 11/4		-
22	A410614	1	BRACKET ROD, CONTROL LEVER		-
23	A410950	1	CONTROL LEVER, AUX. HYDR.		-
24	73040	2	HEXAGONAL SCREW M10*20 DIN 933 ZN		-
25	72322	2	HEXAGONAL NUT M 10 NYLOC DIN 985		-
26	64044	1	ELBOW FITTING 90° C40XS10-3/8 /8		-
27	64050	2	L-FITTING BODY R6XS12		-
28	A411056	1	CONTROL LEVER, TELESCOPIC BOOM		-

8.4.2024

ABS

# A34377 COVER PLATES, FRONT, 420



8.4.2024

ABS

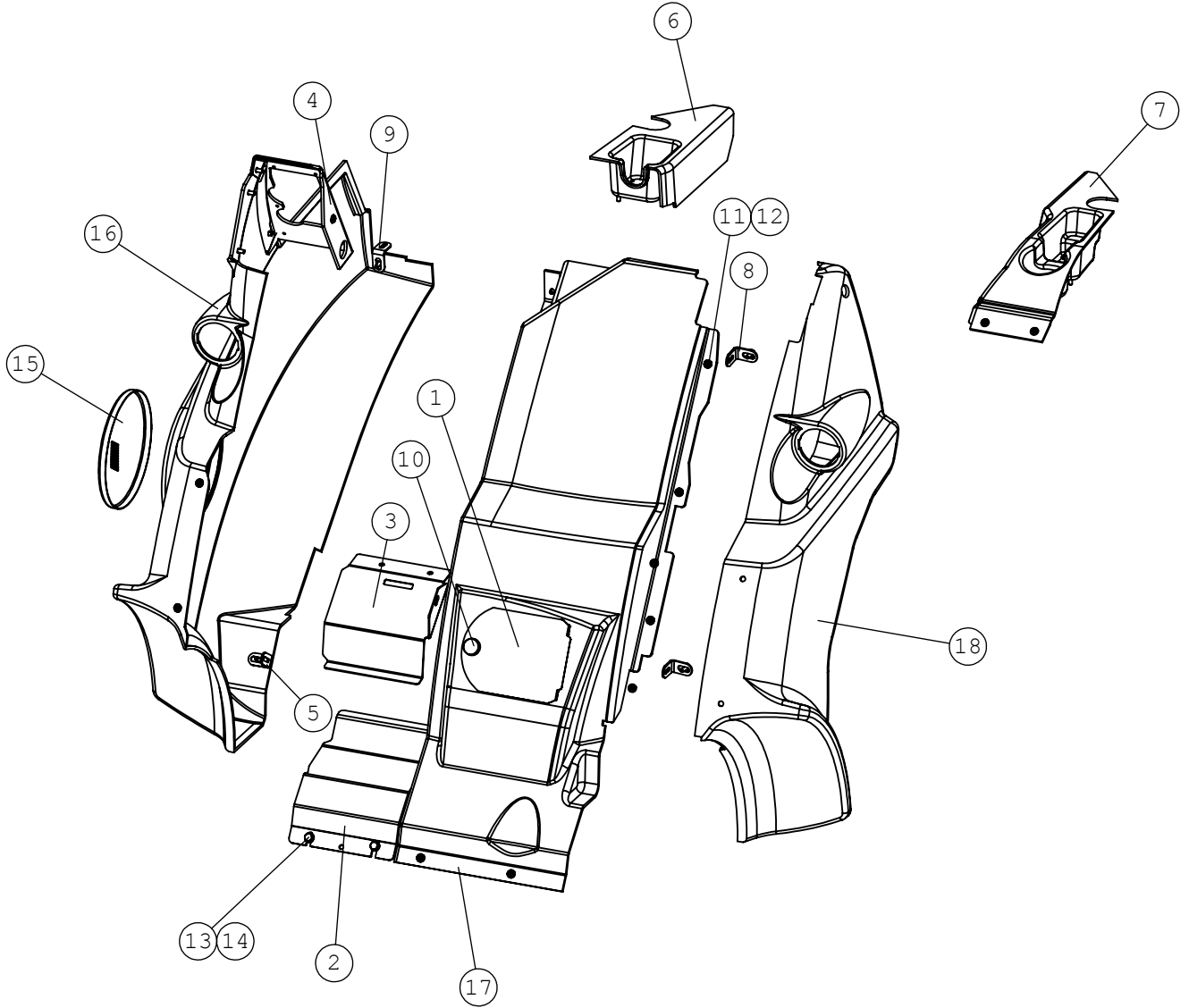
**A34377 COVER PLATES, FRONT, 420**

REF	PART NO	QTY	DESCRIPTION	NOTES	PAGE
1	A48000	1	LID		-
2	A410811	1	COVER PLATE LOWER FRONT RIGHT		-
3	A410812	1	COVER PLATE UPPER FRONT RIGHT		-
4	A410823	1	COVER PLATE, DASHBOARD		-
5	A410826	1	COVER PLATE, RIGHT SIDE FRONT		-
6	A410818	1	COVER PLATE, CENTER, FRONT		-
7	A410584	1	COVER PLATE, LEFT SIDE, FRONT		-
8	A47756	1	ANGLE BRACKET 90°		-
9	A47676	1	ANGLE BRACKET 95°		-
10	A410861	2	ANGLE BRACKET 100 DEGREES		-
11	A431510	1	CUP HOLDER, RIGHT		-
12	A434360	1	CUP HOLDER, LEFT		-
13	64941	1	FINGER SCREW M6*20 R3015RM620S		-
14	74767	26	RAISED COUNTERSUNK HEAD SCREW M6*20		-
15	74768	26	WASHER CONICAL M6		-
16	73039	2	HEXAGONAL SCREW M 8*16 DIN 933 ZN		-
17	73122	2	WASHER M8 A8,4 DIN 125 ZN		-
18	A411240	1	NET		-

8.4.2024

PC/HD, optional extra

# A35661 COVER PLATES HD, KIT, FRONT, 400 SERIES





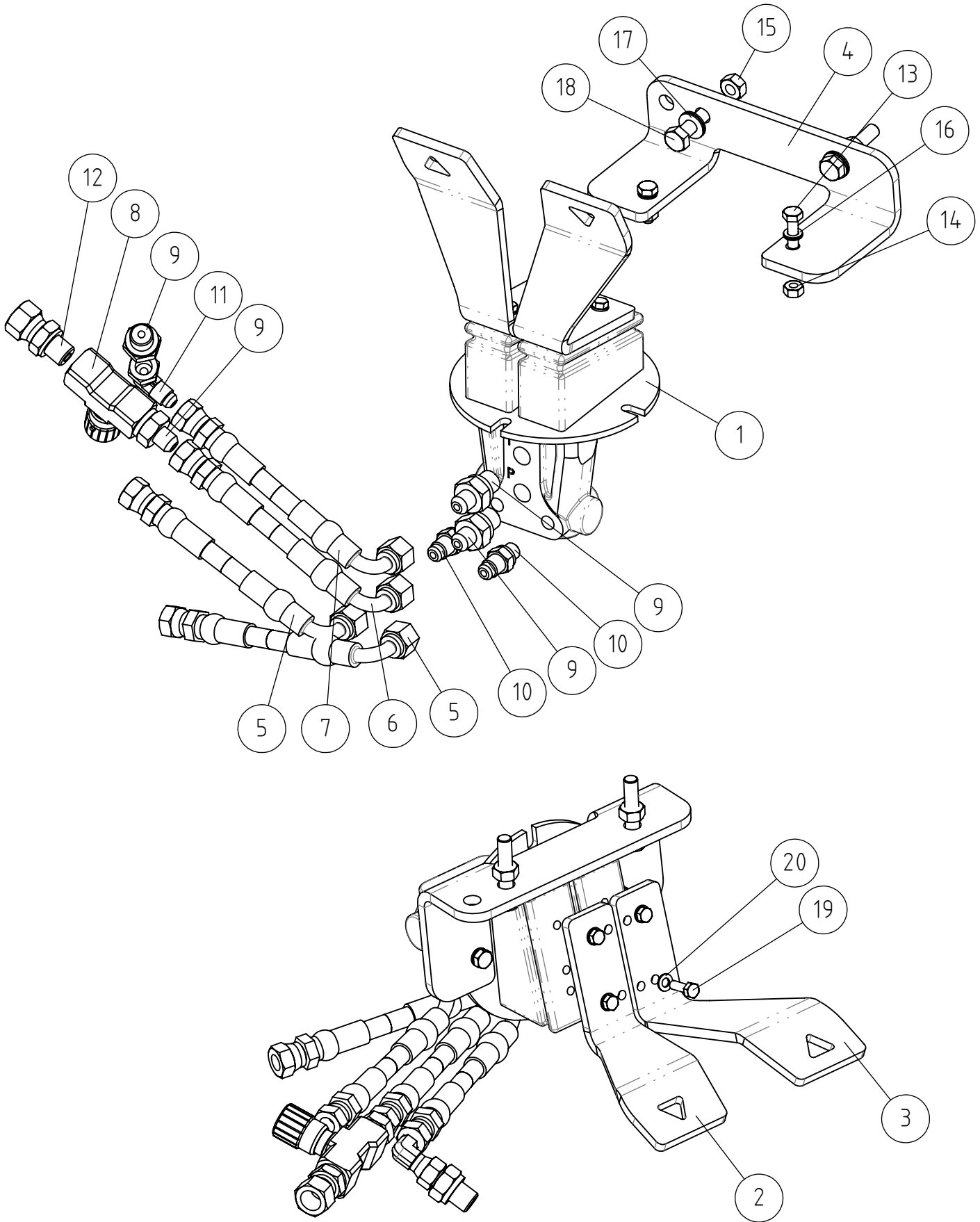
8.4.2024

PC/HD, optional extra

**A35661 COVER PLATES HD, KIT, FRONT, 400 SERIES**

REF	PART NO	QTY	DESCRIPTION	NOTES	PAGE
1	A48000	1	LID		-
2	A410811	1	COVER PLATE LOWER FRONT RIGHT		-
3	A410812	1	COVER PLATE UPPER FRONT RIGHT		-
4	A410823	1	COVER PLATE, DASHBOARD		-
5	A47756	1	ANGLE BRACKET 90°		-
6	A48248	1	CUP HOLDER, RIGHT		-
7	A48247	1	CUP HOLDER, LEFT		-
8	A47676	1	ANGLE BRACKET 95°		-
9	A410861	2	ANGLE BRACKET 100 DEGREES		-
10	64941	1	FINGER SCREW M6*20 R3015RM620S		-
11	74767	26	RAISED COUNTERSUNK HEAD SCREW M6*20		-
12	74768	26	WASHER CONICAL M6		-
13	73039	2	HEXAGONAL SCREW M 8*16 DIN 933 ZN		-
14	73122	2	WASHER M8 A8,4 DIN 125 ZN		-
15	A411240	1	NET		-
16	A415509	1	COVER PLATE, HD, FRONT RIGHT, 400 SERIES		-
17	A415511	1	COVER PLATE, HD, FRONT CENTER, 400 SER.		-
18	A415513	1	COVER PLATE, HD POLYCAR, FRONT LEFT, 400		-

# A410899 DRIVE PEDAL, ASSEMBLY



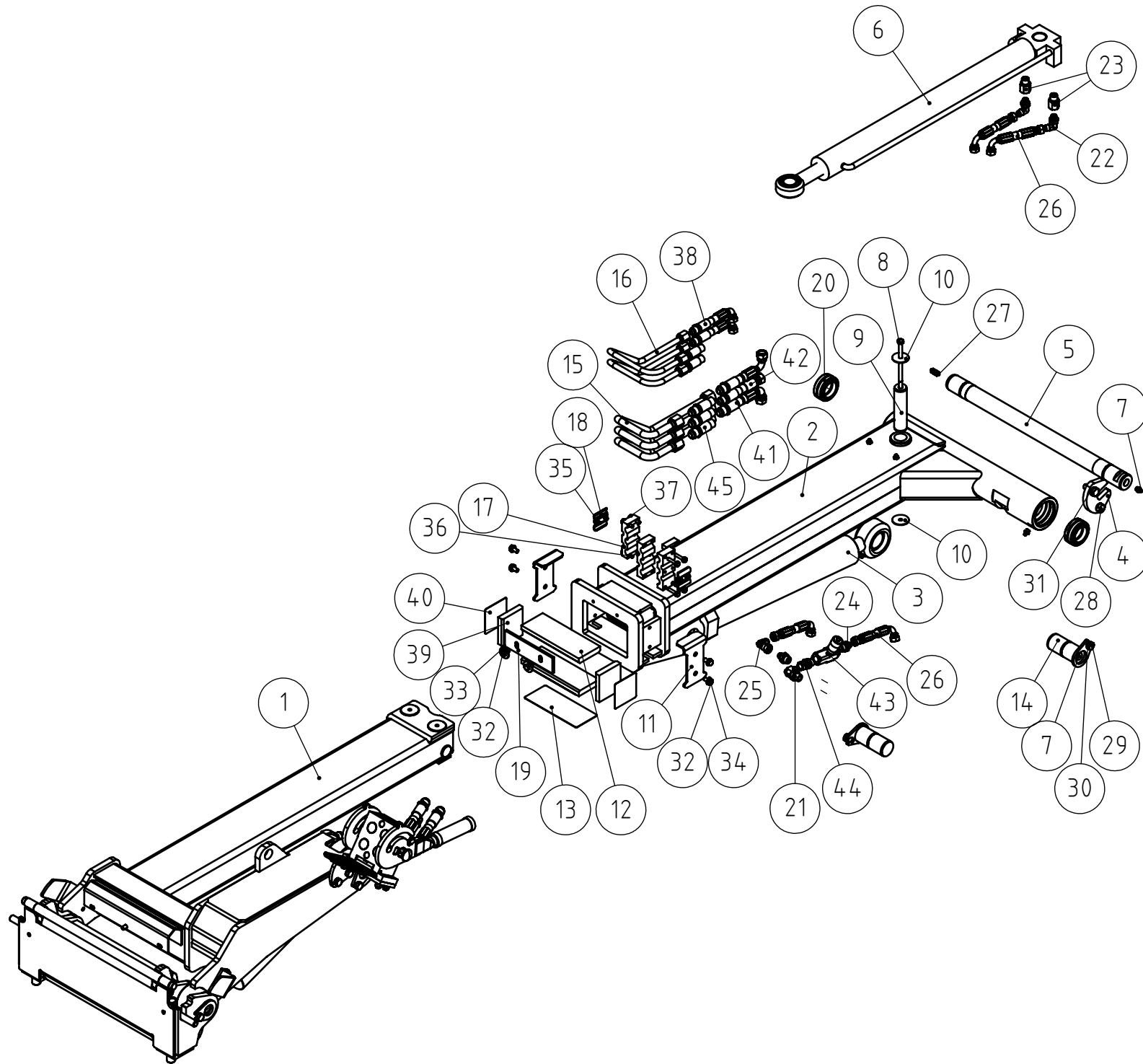
8.4.2024

**A410899 DRIVE PEDAL, ASSEMBLY**

REF	PART NO	QTY	DESCRIPTION	NOTES	PAGE
1	64922	1	HYDR. PEDAL BONDIOLI HPCF0G218SP00102-1		-
2	A410695	1	DRIVE PEDAL, LEFT		-
3	A410696	1	DRIVE PEDAL, RIGHT		-
4	A47247	1	BRACKET, DRIVE PEDAL		-
5	A422164	2	HYDR. HOSE L=1240		-
6	A410274	1	HYDR. HOSE L=1120		-
7	A47643	1	HYDR. HOSE L=430 TYPE 087-3/16" JIC6-		-
8	63879	1	CHECK VALVE 9N400S R1/4"-R1/4"		-
9	64678	4	BASIC FITTING F40XS6-1/4"		-
10	64793	2	BASIC FITTING F40XS6-1/8"		-
11	64308	1	ELBOW FITTING 90 DEGR. C6XS6		-
12	64060	1	CONNECTOR NIPPLE F64XS10-1/4		-
13	72118	2	HEXAGONAL SCREW M6*20 DIN 933		-
14	72317	2	HEXAGONAL NUT M6 DIN 934		-
15	72319	2	HEXAGONAL NUT M8 DIN 934		-
16	74530	2	WASHER NORDLOCK NL6		-
17	63944	2	WASHER, PAIR, NORD-LOCK M8		-
18	73222	2	HEXAGONAL SCREW M8*40 DIN 933		-
19	72110	4	HEX. SCREW M5*16 DIN 933		-
20	74448	4	WASHER M5 A5,3 DIN 125 ZN		-

8.4.2024

# A21359 TELESCOPIC BOOM 400 SERIES



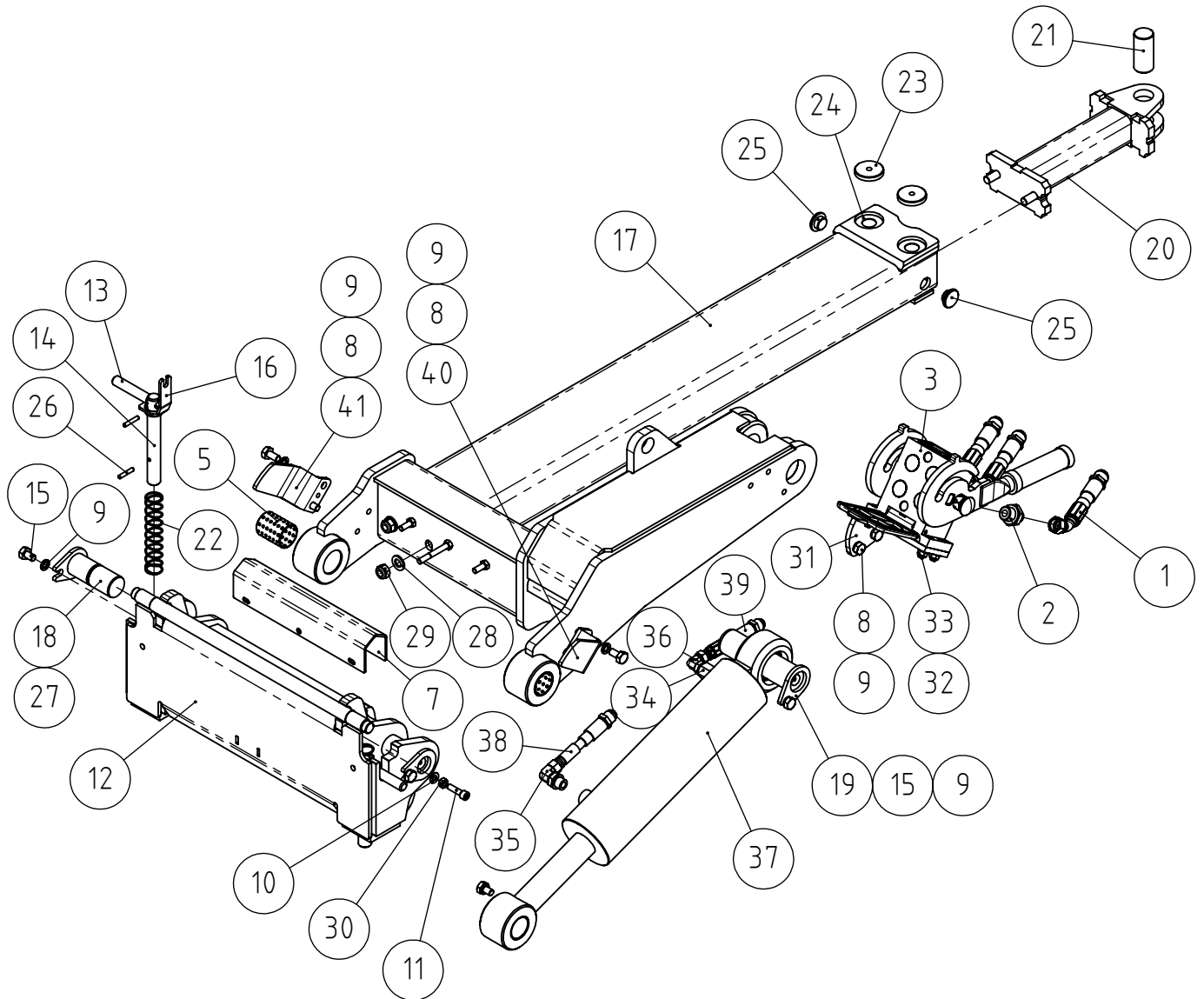
8.4.2024

**A21359 TELESCOPIC BOOM 400 SERIES**

REF	PART NO	QTY	DESCRIPTION	NOTES	PAGE
1	A427554	1	INNER BOOM ASSEMBLY 400 SERIES		22
2	A34378	1	OUTER BOOM		-
3	A420810	1	HYDRAULIC CYLINDER F63/F35-393		-
3.1	65003	1	SEAL KIT, 63/35 CYLINDER		-
4	A49723	1	LOCKING PLATE		-
5	A49725	1	PIVOT PIN F40-564		-
6	A47032	1	HYDR. CYLINDER F50/F32-600		-
6.1	65004	1	SEAL KIT 50/32 CYLINDER A47032		-
6.2	64273	1	ARTICUL. BEARING GE30ESF47/30-22(18)		-
6.3	64823	1	SLIDE BEARING BRM-80 F34/F30-30		-
7	72798	6	GREASE NIPPLE R 1/8" STRAIGHT		-
8	74766	1	HEXAGONAL SCREW M8*140		-
9	A48489	1	PIVOT PIN F30		-
10	A48492	2	WASHER M8X40		-
11	A48341	2	MOUNTING PLATE, SLIDE PAD		-
12	A48339	2	SLIDE PAD 15*72*194		-
13	A48014	2	ADJUSTMENT PLATE 1 MM, LONG		-
14	A47041	2	PIVON PIN F40-90		-
15	A47559	3	HYDRAULIC PIPE F16		-
16	A47560	2	HYDRAULIC PIPE F12		-
17	A47562	2	BRACKET, HYDR.PIPE F16/F12		-
18	A47563	2	BRACKET, HYDR.PIPE F12		-
19	A48367	1	SCRAPER		-
20	64911	2	ARTICUL. BEARING GE40ES F62/40-28(22)		-
21	64044	1	ELBOW FITTING 90° C40XS10-3/8 /8		-
22	64087	2	ELBOW FITTING 90 DEGR. /4#		-
23	64324	2	REDUCER FITTING RI 3/8"-EDX 1/4"		-
24	64041	2	BASIC FITTING F40XS10-3/8 /8		-
25	64043	1	ELBOW FITTING 90° C6XS10		-
26	A47635	4	HYDR. HOSE L=1720 2LW-06		-
27	74082	1	GREASE NIPPLE R1/8" 90 DEGREE		-
28	72167	2	HEXAGONAL SCREW M12*30 DIN 933		-
29	72147	2	HEXAGONAL SCREW M 10*16 DIN 933		-
30	74531	2	SPACER NORDLOCK M10, PAIR		-
31	74532	2	WASHER NORDLOCK NL12		-
32	73039	6	HEXAGONAL SCREW M 8*16 DIN 933 ZN		-
33	71685	2	WASHER M8 R9 DIN 440 ZN		-
34	73122	4	WASHER M8 A8,4 DIN 125 ZN		-
35	72116	4	HEXAGONAL SCREW M 6*12 DIN 933 ZN		-
36	73199	8	HEXAGONAL SCREW M6*30 DIN 933		-
37	71680	12	WASHER M6 DIN 125		-
38	A47638	2	HYDR. HOSE L=1610 2LW-06		-
39	A48340	2	SLIDE PAD 15*72*78		-
40	A48013	2	ADJUSTMENT PLATE 1 MM, SHORT		-
41	A411042	2	HYDR. HOSE L=1130		-
42	A411040	1	HYDR. HOSE L=1020		-
43	65370	1	FLOW RESTRICTOR VALVE		-
44	65042	1	CONNECTOR NIPPLE F64XS10-3/8"		-
45	A414911	3	HYDR. HOSE L=1150 2LW-08		-

8.4.2024

# A427554 INNER BOOM ASSEMBLY 400 SERIES



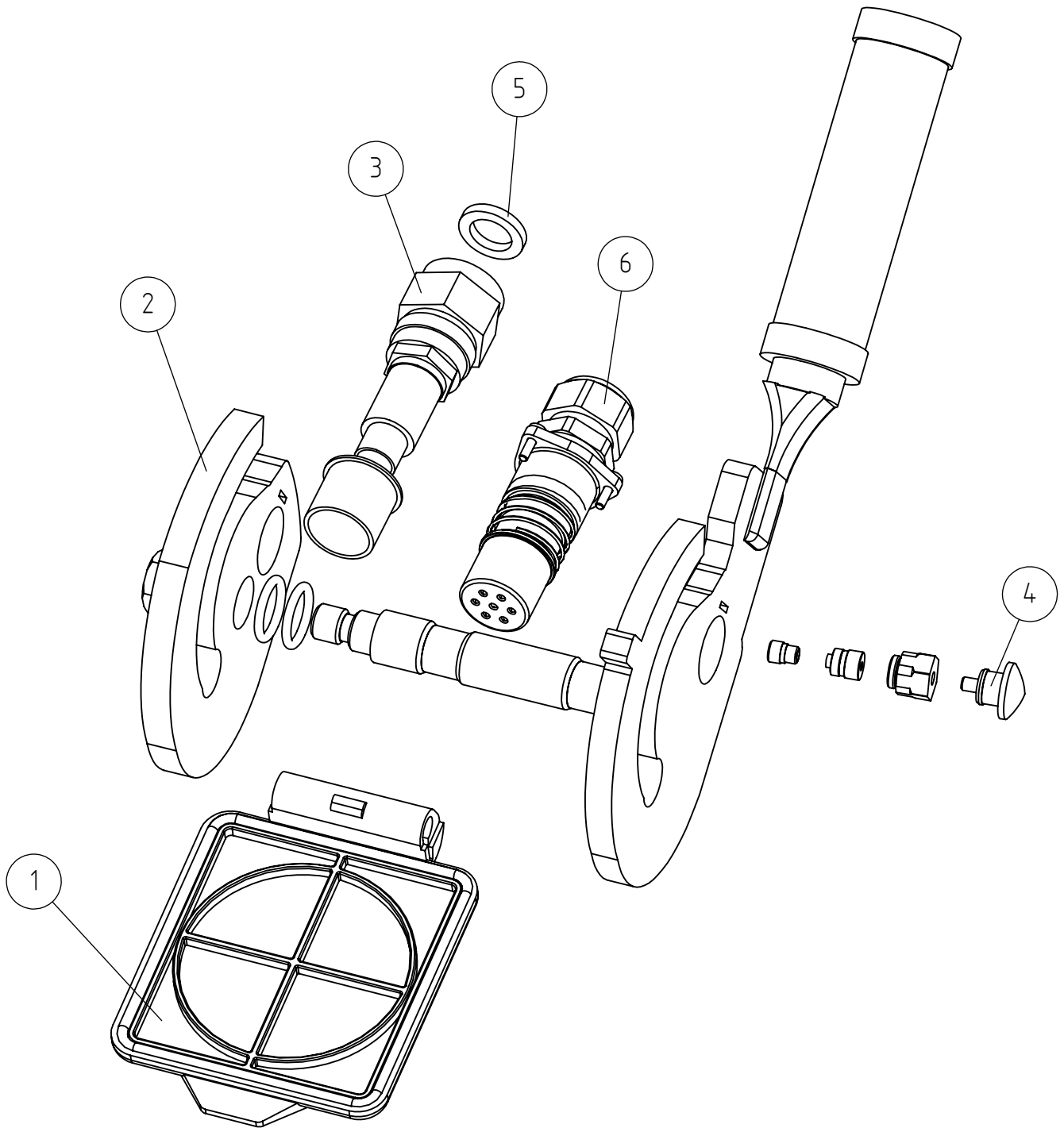
8.4.2024

**A427554 INNER BOOM ASSEMBLY 400 SERIES**

REF	PART NO	QTY	DESCRIPTION	NOTES	PAGE
1	A414911	3	HYDR. HOSE L=1150 2LW-08		-
2	64058	3	BASIC FITTING F40XS12-1/2		-
3	65252	1	MULTI CONNECTOR, ON LOADER		24
4	72139	1	HEXAGONAL SCREW M 8*60 DIN 931		-
5	64913	2	SLIDE BEARING BRM-80 F39/F35-50		-
6	64188	2	FINGER SCREW R5026M8S		-
7	A413816	1	SERVICE SUPPORT, LIFT CYLINDER		-
8	73040	6	HEXAGONAL SCREW M10*20 DIN 933 ZN		-
9	74531	10	SPACER NORDLOCK M10, PAIR		-
10	73122	6	WASHER M8 A8,4 DIN 125 ZN		-
11	73100	2	HEXAGONAL HEAD SCREW M8*30 DIN 912 2		-
12	A449161	1	ATTACHMENT COUPLING PLATE 400 SERIES		-
13	A47688	2	LATCH PIN		-
14	A47687	2	LOCKING PIN F20		-
15	72147	4	HEXAGONAL SCREW M 10*16 DIN 933		-
16	A410881	2	GUIDE		-
17	A34359	1	INNER BOOM		-
18	A47040	3	PIVOT PIN F35-88		-
19	A47042	1	PIVOT PIN F40-147		-
20	A47002	1	LINKAGE ROD, SELF LEVELING		-
21	A47692	1	PIVOT PIN F30-66		-
22	64138	2	COMPRESSION SPRIG DIN 2098 2*25*135		-
23	A47922	2	ROLLER, BOOM		-
24	A47941	2	SLIDE PLATE		-
25	A48343	2	ROLLER, BOOM		-
26	73661	4	SPRING PIN 5*30 DIN 1481		-
27	72798	4	GREASE NIPPLE R 1/8" STRAIGHT		-
28	71691	2	WASHER M12 A13 DIN 125		-
29	72324	2	HEXAGONAL NUT M 12 NYLOC DIN 985		-
30	72319	2	HEXAGONAL NUT M8 DIN 934		-
31	A410804	1	MOUNTING BRACKET, MULTI CONNECTOR LOADER		-
32	72320	4	HEXAGONAL NUT M8 NYLOC DIN 985		-
33	71884	4	HEXAGONAL HEAD SCREW M 8*25 DIN 912 2		-
34	64324	1	REDUCER FITTING RI 3/8"-EDX 1/4"		-
35	64044	1	ELBOW FITTING 90° C40XS10-3/8 /8		-
36	64087	1	ELBOW FITTING 90 DEGR. /4#		-
37	A410797	1	HYDR. CYLINDER 80/40-216		-
37.1	65002	1	SEAL KIT, 80/40CYLINDER		-
37.2	64911	1	ARTICUL. BEARING GE40ES F62/40-28(22)		-
38	A414913	1	HYDR. HOSE L=1550 2LW-06		-
39	A414912	1	HYDR. HOSE L=1250 2LW-06		-
40	A437191	1	LOCKING BRACKET LEFT, LOCKING PIN AVANT		-
41	A437195	1	LOCKING BRACKET RIGHT, LOCKING PIN AVANT		-

8.4.2024

# 65252 MULTI CONNECTOR, ON LOADER





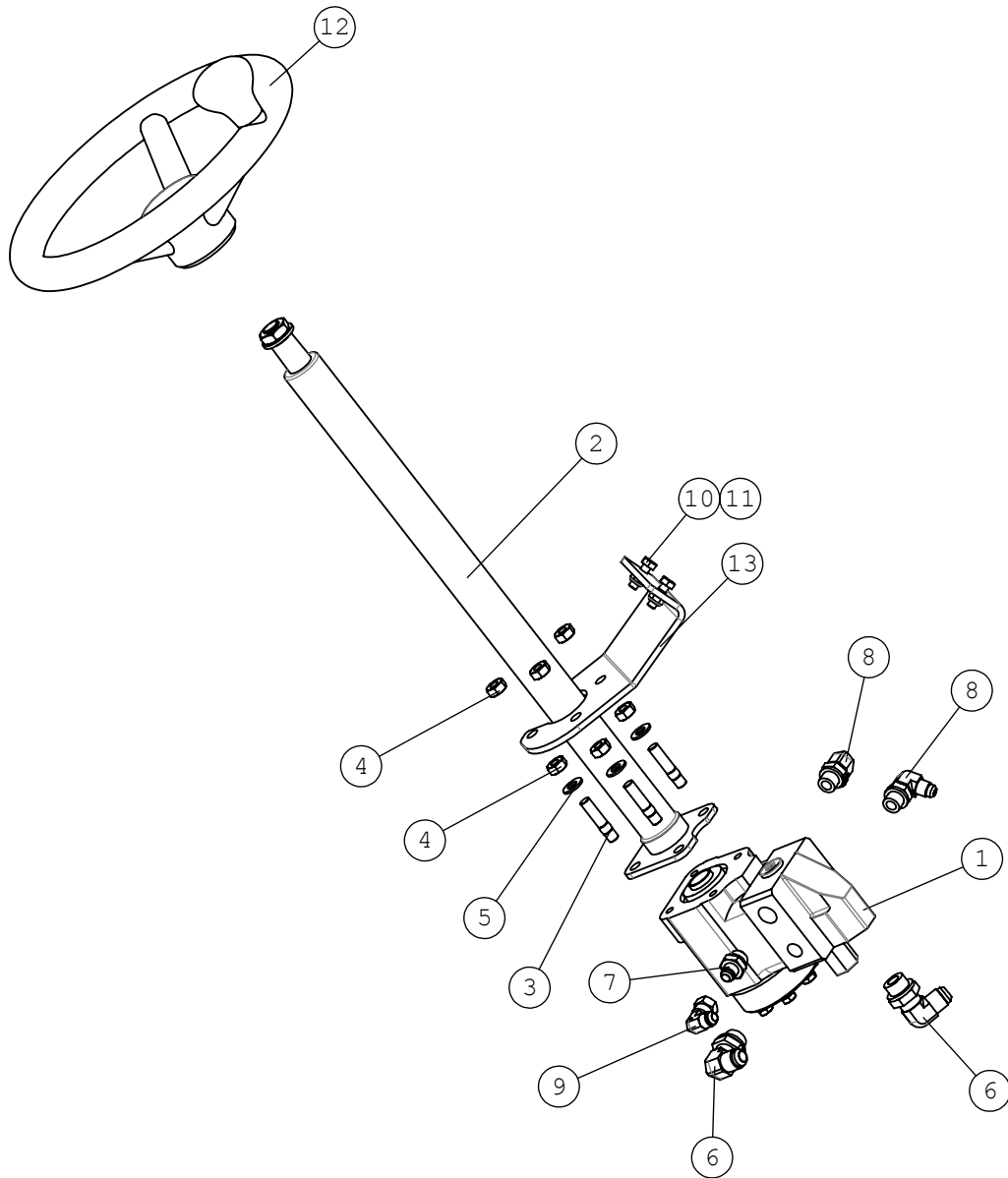
8.4.2024

**65252 MULTI CONNECTOR, ON LOADER**

REF	PART NO	QTY	DESCRIPTION	NOTES	PAGE
1	65882	1	CAP PLATE, KIT, MULTI CONNECTOR		-
2	65884	1	HANDLE, KIT, MULTI CONNECTOR ON LOADER		-
3	65881	1	QUICK COUPLER, ON MULTI CONNECTOR		-
4	65883	1	SAFETY BUTTON, KIT, MULTI CONNECTOR		-
5	65880	1	SEAL RING, MULTI CONNECTOR SK MF 12		-
6	75035	1	ELECTRIC CONNECTOR FEMININE, FASTER		-

8.4.2024

# A410964 STEERING COLUMN, ASSEMBLY

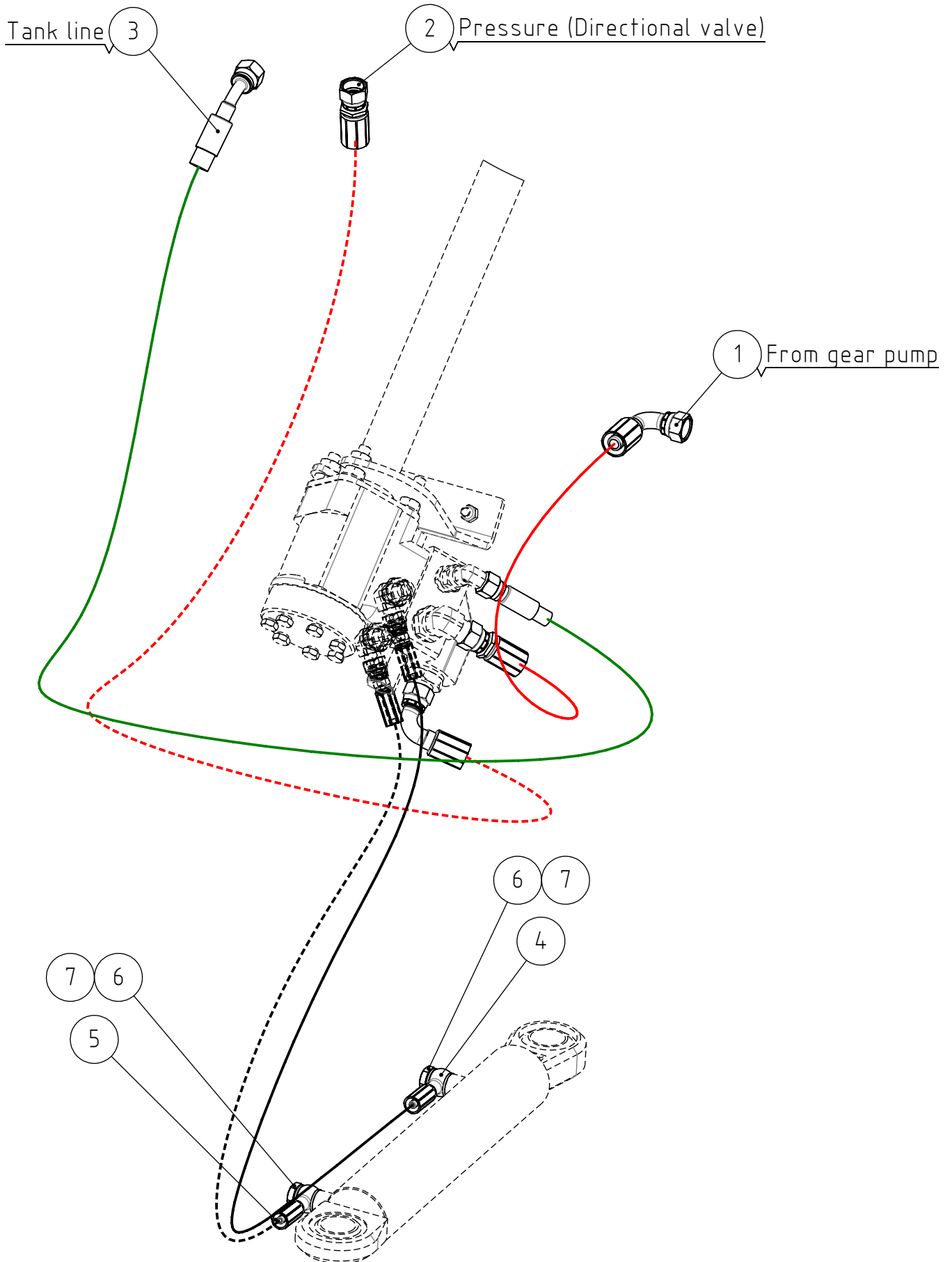


8.4.2024

**A410964 STEERING COLUMN, ASSEMBLY**

REF	PART NO	QTY	DESCRIPTION	NOTES	PAGE
1	64178	1	CONTROL BLOCK M+S HKUS 80/5-140+PRDD80/7		-
1.1	A430819	1	HEXAGONAL HEAD SCREW M10*1*45 ORBITROL		-
1.2	64611	1	SEAL KIT 41 5137 0130 M+S HKUS ORBITROL		-
1.3	64612	1	SEAL KIT, PRIORITY VALVE / ORBITROL M+S		-
2	64780	1	STEERING WHEEL ROD M+S KK600 -I		-
3	74587	4	STUD M10* 35 DIN 939		-
4	72321	8	HEXAGONAL NUT M10 DIN 934		-
5	73121	4	WASHER M10 A10,5 DIN 125 ZN		-
6	64045	2	ELBOW FITTING 90° C40XS12-1/2 /2		-
7	64041	1	BASIC FITTING F40XS10-3/8 /8		-
8	64044	2	ELBOW FITTING 90° C40XS10-3/8 /8		-
9	64043	1	ELBOW FITTING 90° C6XS10		-
10	72132	2	HEXAGONAL SCREW M 8*25 DIN 933 ZN		-
11	72320	2	HEXAGONAL NUT M8 NYLOC DIN 985		-
12	65076	1	STEERING WHEEL "AVANT" F320		-
12.1	65131	1	CENTER CAP, STEERING WHEEL		-
12.2	65576	1	KNOB, STEERING WHEEL, COBO 0034.1130		-
13	A410698	1	BRACKET, CONTROL BLOCK ORBITROL		-

# A34484 HYDR. HOSES, ORBITROL



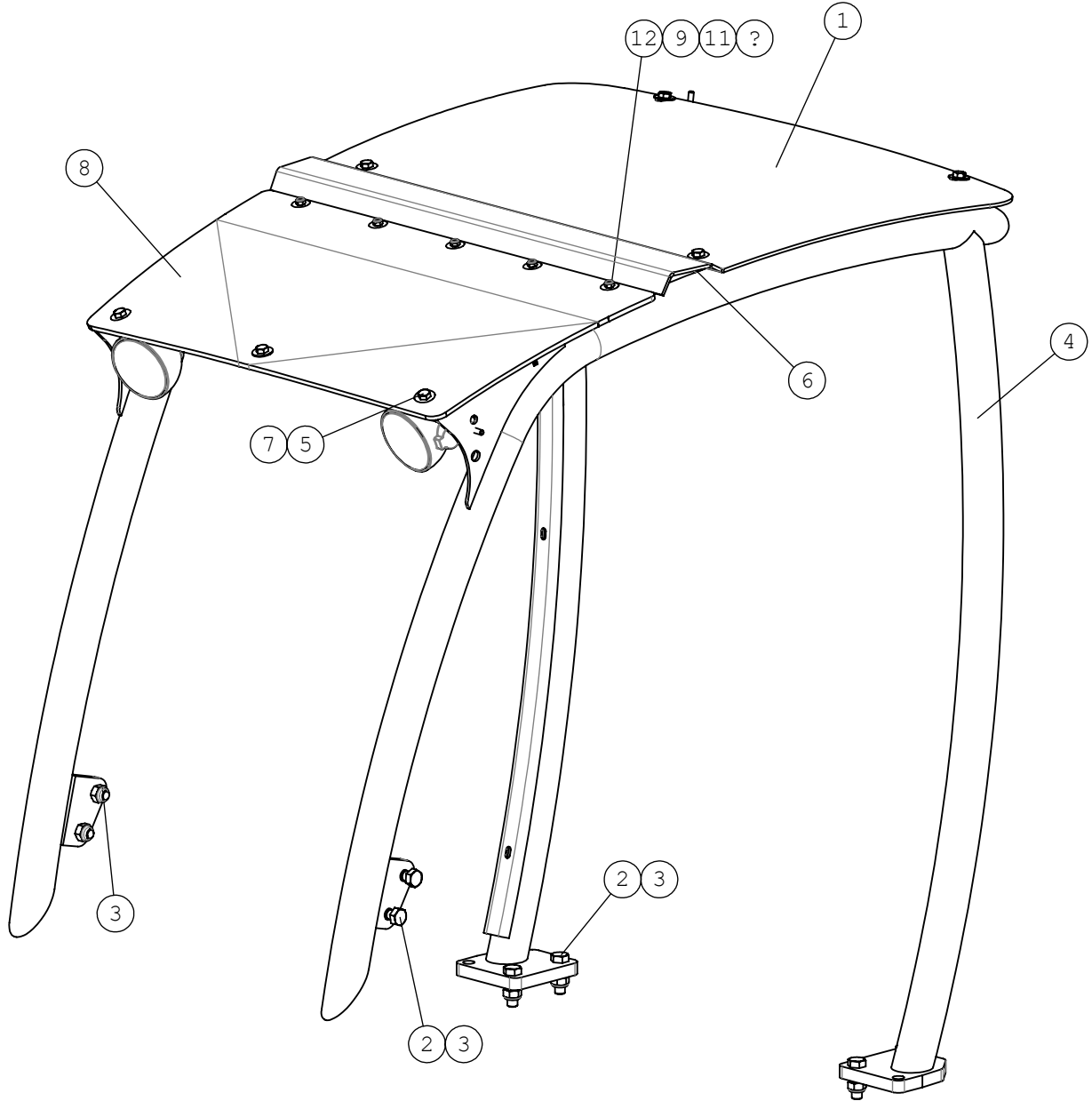
8.4.2024

**A34484 HYDR. HOSES , ORBITROL**

REF	PART NO	QTY	DESCRIPTION	NOTES	PAGE
1	A48210	1	HYDR. HOSE L=1110		-
2	A434549	1	HYDR. HOSE L=1450		-
3	A410126	1	HYDR. HOSE L=1550		-
4	A462712	1	HYDR. HOSE L=1100		-
5	A462714	1	HYDR. HOSE L=850		-
6	64557	2	BANJO BOLT R 1/4"		-
7	73757	4	USIT COMPRESSION R1/4"		-

8.4.2024

# A410940 SAFETY FRAME, COMPLETE



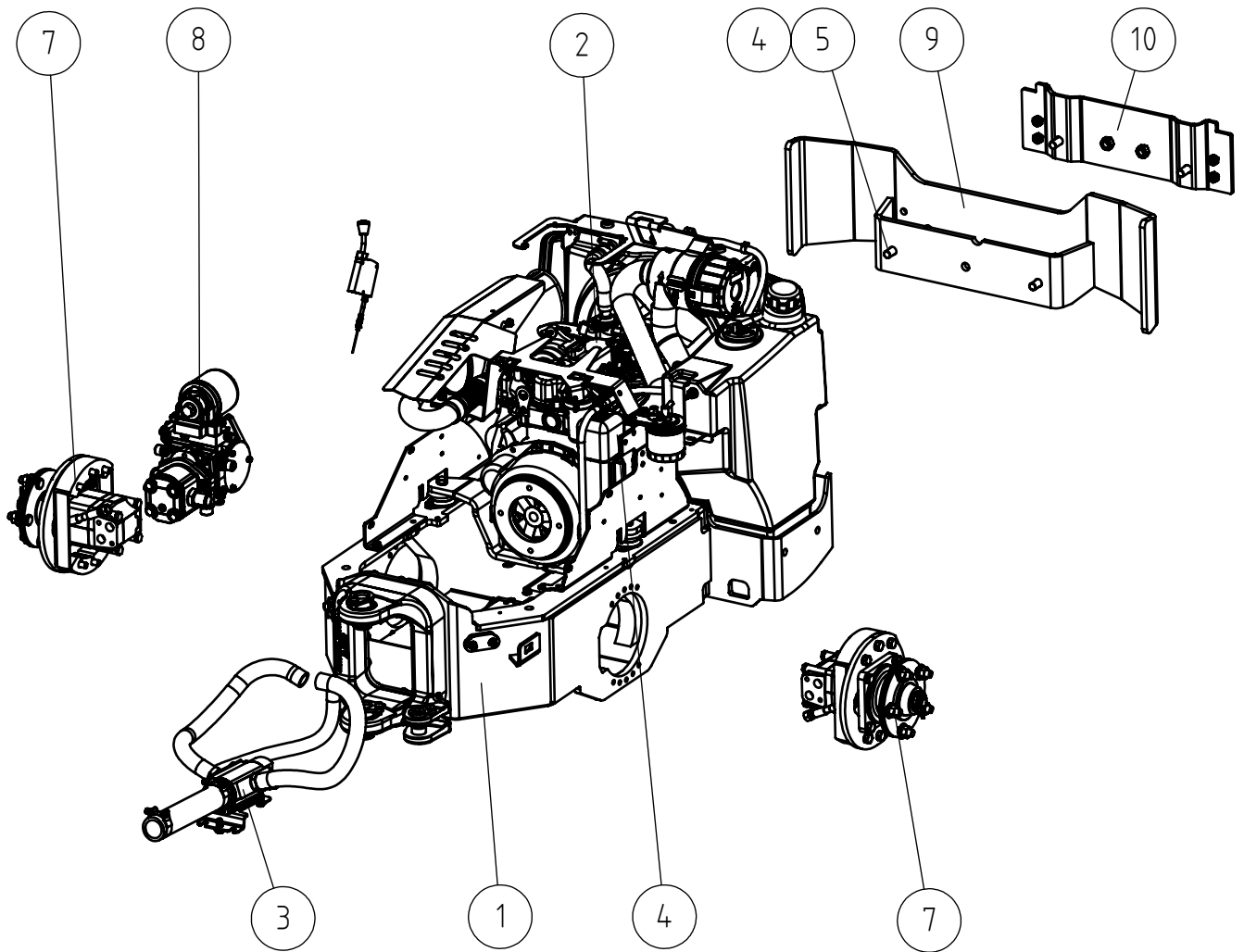
8.4.2024

**A410940 SAFETY FRAME, COMPLETE**

REF	PART NO	QTY	DESCRIPTION	NOTES	PAGE
1	A410922	1	FOPS CANOPY, 400 SERIES		-
2	73322	8	HEXAGONAL SCREW M12*40 DIN 931		-
3	72324	8	HEXAGONAL NUT M 12 NYLOC DIN 985		-
4	A34274	1	ROPS SAFETY FRAME, 400 SERIES		-
5	72132	7	HEXAGONAL SCREW M 8*25 DIN 933 ZN		-
6	72320	7	HEXAGONAL NUT M8 NYLOC DIN 985		-
7	74526	9	WASHER M8 8,4*25*1,5 ZN		-
8	A411324	1	CANOPY, SHORT, POLYCARBONATE, 400 SERIES		-
9	74767	5	RAISED COUNTERSUNK HEAD SCREW M6*20		-
10	74768	5	WASHER CONICAL M6		-
11	71681	5	WASHER M6 DIN 440		-
12	72318	5	HEXAGONAL NUT M 6 DIN 985 NYLOC		-

8.4.2024

# A425709 REAR FRAME ASSEMBLY AVANT 423



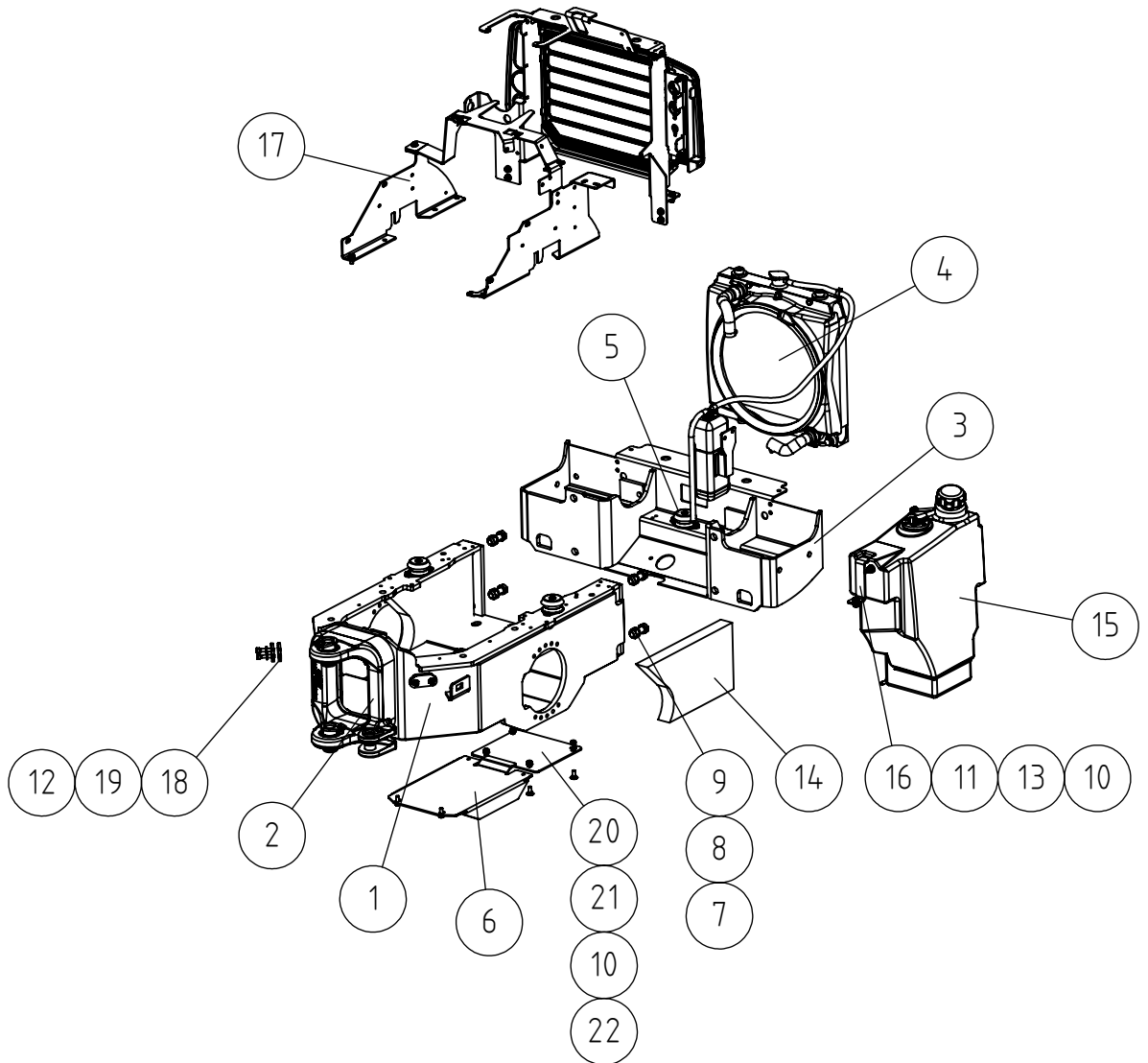


8.4.2024

**A425709 REAR FRAME ASSEMBLY AVANT 423**

REF	PART NO	QTY	DESCRIPTION	NOTES	PAGE
1	A21740	1	REAR FRAME		34
2	A37338	1	ENGINE D902 ASSEMBLY		44
3	A455463	1	HYDRAULIC MANIFOLD ASSEMBLY 400 SERIES		52
4	74533	6	WASHER, PAIR, M16 NL16 NORDLOCK		-
5	72191	4	HEXAGONAL SCREW M16*40 DIN 933		-
6	72329	2	HEXAGONAL NUT M 16 DIN 934		-
7	A438936	2	HYDRAULIC MOTOR REAR ASSEMBLY OMSW315		54
8	A433806	1	HYDRAULIC PUMPS ASSEMBLY AVANT 423		56
9	A410928	1	REAR BUMPER PLATE 400 SERIES		-
10	A413152	1	REAR PLATE, 400 SERIES		-

# A21740 REAR FRAME



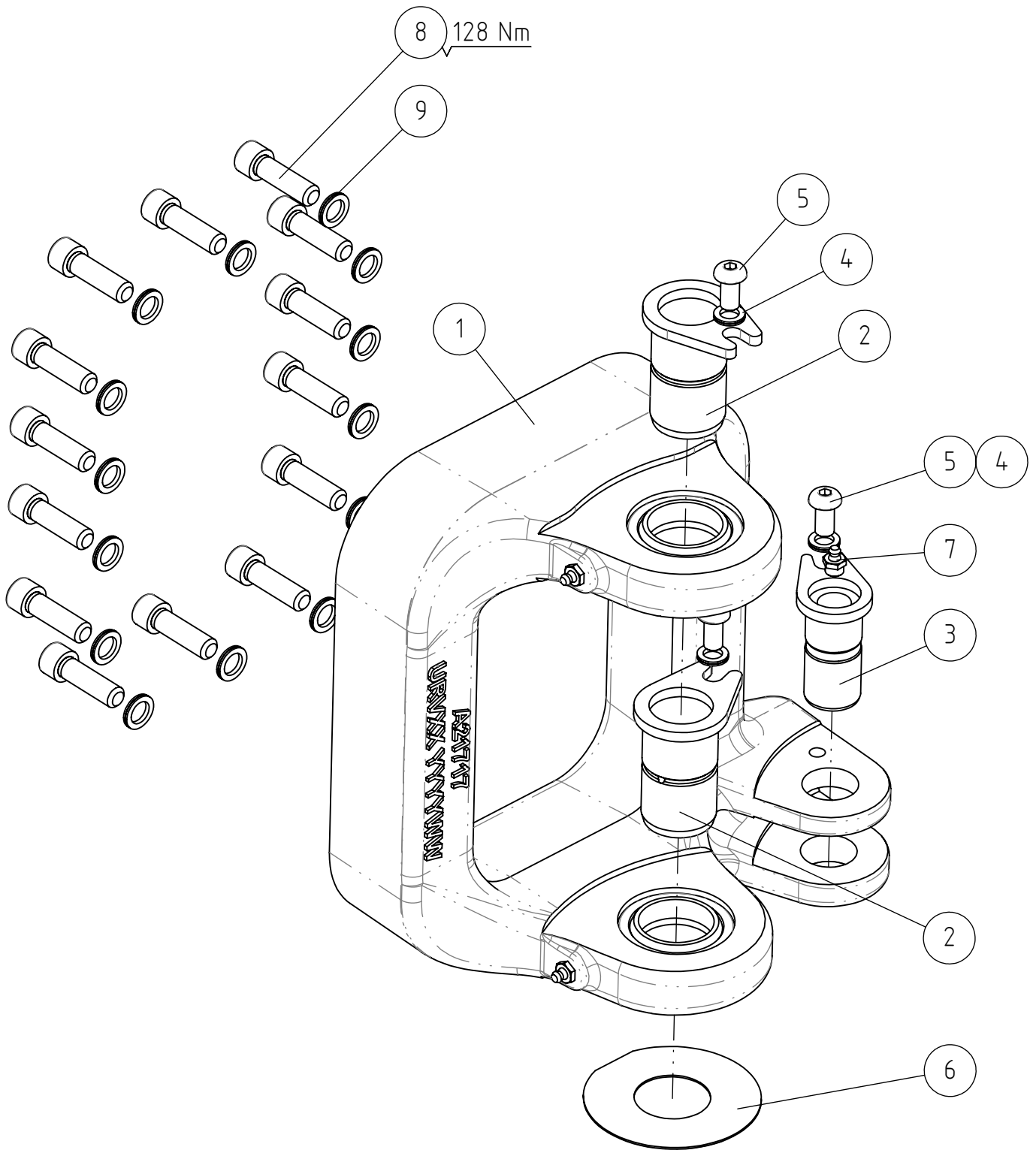
8.4.2024

**A21740 REAR FRAME**

REF	PART NO	QTY	DESCRIPTION	NOTES	PAGE
1	A434401	1	REAR FRAME, FRONT PART ASSEMBLY		-
2	A37449	1	ARTICULATION JOINT ASSEMBL REAR FRAME		36
3	A37342	1	BACK FRAME, MIDDLE PART		-
4	A422702	1	RADIATOR 423/523, D902, ASSEMBLY		38
5	64843	3	ENGINE MOUNT NOVIBRA M12 - 2*F8,5		-
6	A446658	1	SERVICE HATCH 400-700 SERIES		-
7	72193	4	HEXAGONAL SCREW M16* 50 DIN 933		-
8	74533	8	WASHER, PAIR, M16 NL16 NORDLOCK		-
9	72329	4	HEXAGONAL NUT M 16 DIN 934		-
10	73122	8	WASHER M8 A8,4 DIN 125 ZN		-
11	72130	6	HEXAGONAL SCREW M8*20		-
12	63944	9	WASHER, PAIR, NORD-LOCK M8		-
13	72319	3	HEXAGONAL NUT M8 DIN 934		-
14	A423127	2	NOISE INSULATION PLATE, REAR FRAME		-
15	A48669	1	FUEL TANK 20 L, COMPLETE		40
16	A49560	1	MOUNTING BRACKET, FUEL TANK 20L		-
17	A37475	1	MOUNTING BRACKETS, COVER PLATES REAR CHA		42
18	A442049	4	STOP PLATE STEERING		-
19	74918	4	HEXAGONAL HEAD SCREW M8*40 DIN 912		-
20	A451009	1	SERVICE HATCH REAR FRAME 423/523		-
21	74836	4	CARRIAGE BOLT M8*20		-
22	72320	4	HEXAGONAL NUT M8 NYLOC DIN 985		-

8.4.2024

# A37449 ARTICULATION JOINT ASSEMBL REAR FRAME



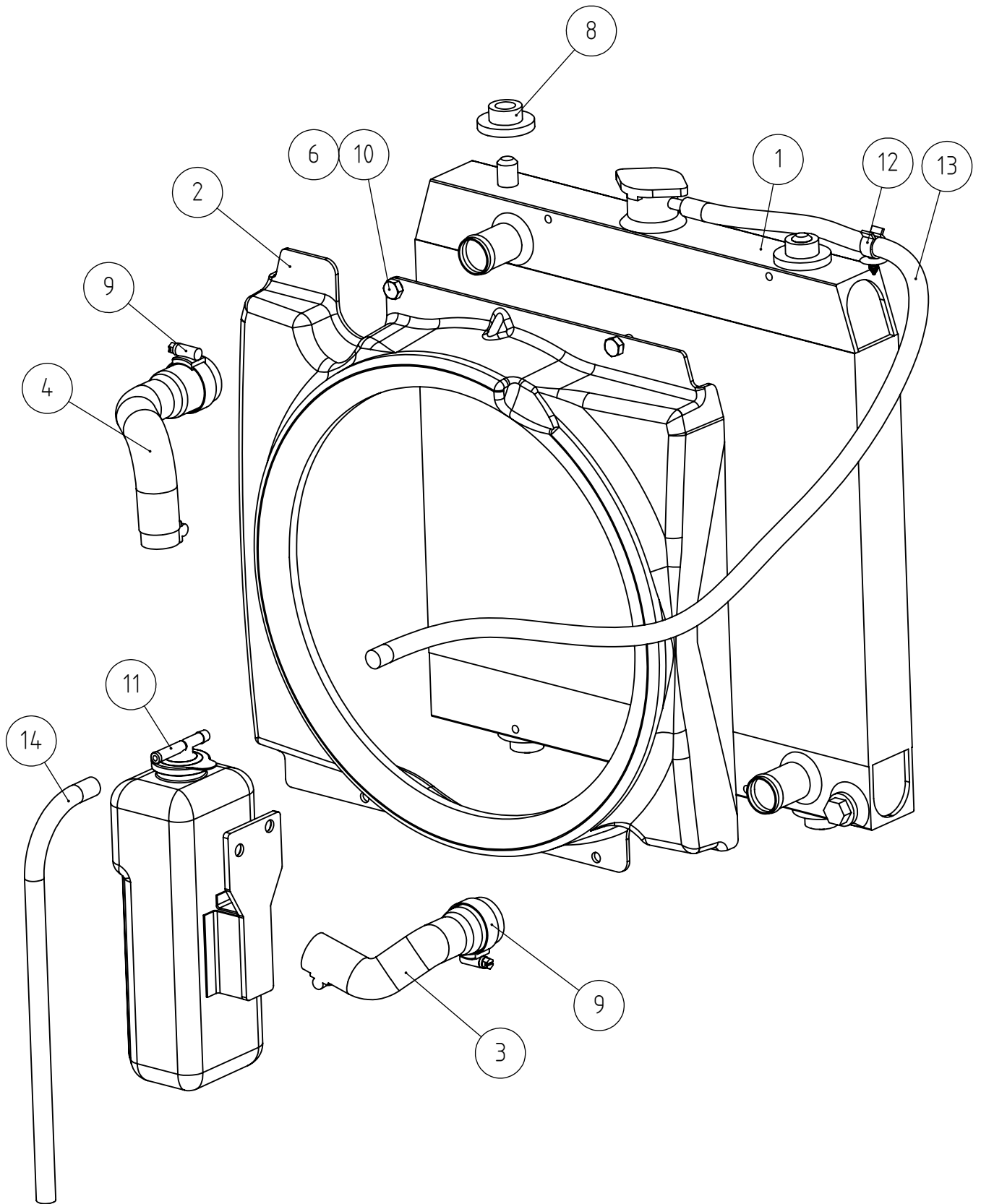
8.4.2024

**A37449 ARTICULATION JOINT ASSEMBL REAR FRAME**

REF	PART NO	QTY	DESCRIPTION	NOTES	PAGE
1	A444363	1	ARTICULATION JOINT CAST STEEL, ASSEMBLY		-
1.1	64911	2	ARTICUL. BEARING GE40ES F62/40-28(22)		-
2	A47043	2	PIVOT PIN F40-63		-
3	A47655	1	PIVOT PIN F30-60		-
4	74531	3	SPACER NORDLOCK M10, PAIR		-
5	A437915	3	HEXAGONAL HEAD SCREW M10*20 10.9 2		-
6	A48263	1	SHIM RING S=1 MM, ARTICULATION JOINT		-
7	72798	1	GREASE NIPPLE R 1/8" STRAIGHT		-
8	A437018	14	HEXAGONAL HEAD SCREW M12*40 12.9		-
9	74532	14	WASHER NORDLOCK NL12		-

8.4.2024

# A422702 RADIATOR 423/523, D902, ASSEMBLY



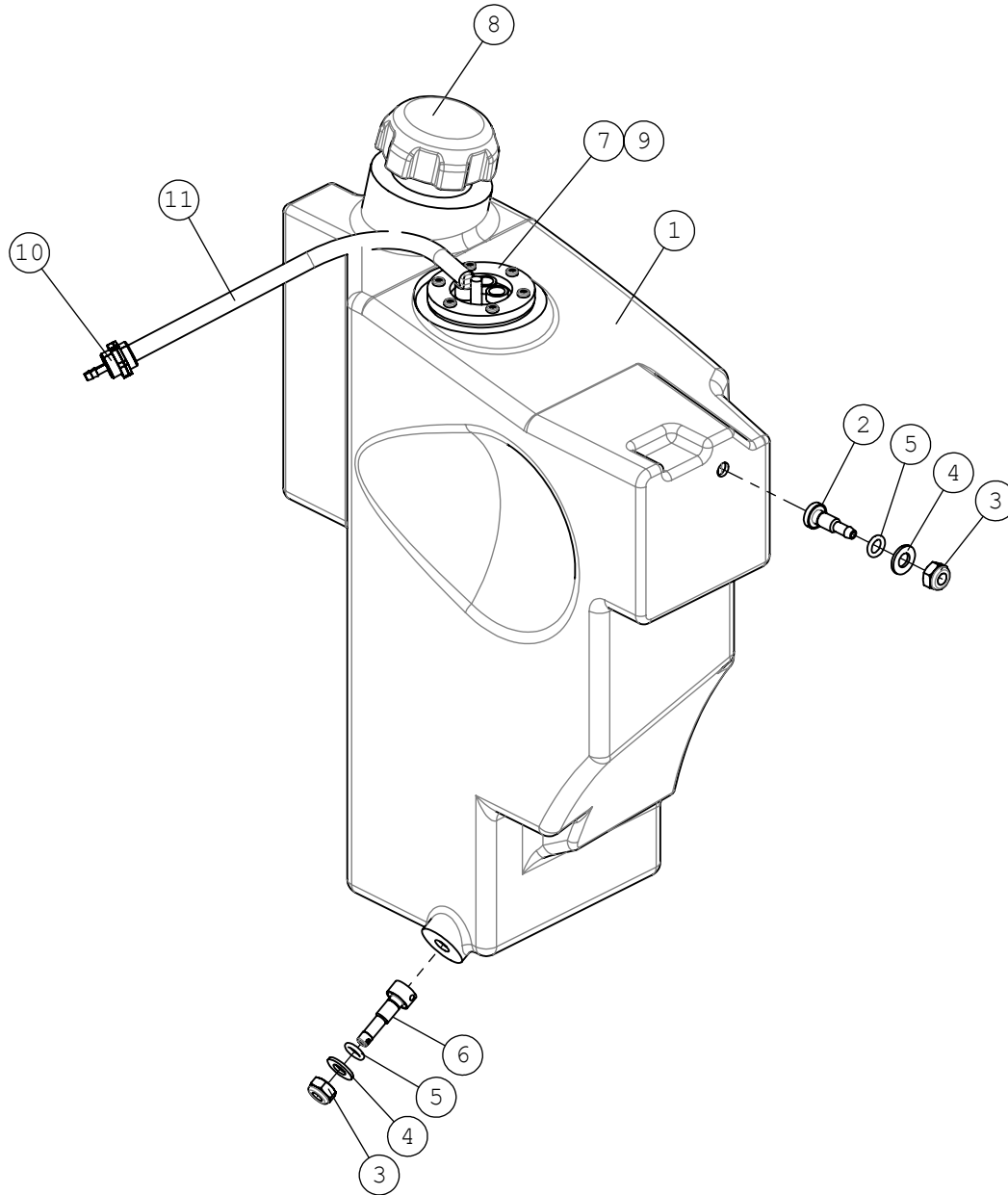
8.4.2024

**A422702 RADIATOR 423/523, D902, ASSEMBLY**

REF	PART NO	QTY	DESCRIPTION	NOTES	PAGE
1	A422612	1	RADIATOR D902		-
1.1	A436407	1	CAP, RADIATOR 0.9BAR		-
2	A442893	1	WIND TUNNEL 423/523		-
3	A415803	1	RADIATOR HOSE LOWER		-
4	A415802	1	RADIATOR HOSE UPPER		-
5	73039	1	HEXAGONAL SCREW M 8*16 DIN 933 ZN		-
6	74530	2	WASHER NORDLOCK NL6		-
7	73530	2	HOSE CLAMP 22-32 MM		-
8	A420381	4	VIBRATION DAMPER RUBBER RADIATOR		-
9	73809	2	HOSE CLAMP 32-44 MM		-
10	75000	1	HEXAGONAL SCREW M8*10 DIN 933		-
11	65067	1	OVERFLOW TANK 1,30 L RADIATOR KUBOTA		-
12	A428260	1	PIPE CLIP D13-D14		-
13	A428264	1	FUEL HOSE L=900		-
14	A422532	1	FUEL HOSE L=350		-

8.4.2024

# A48669 FUEL TANK 20 L, COMPLETE





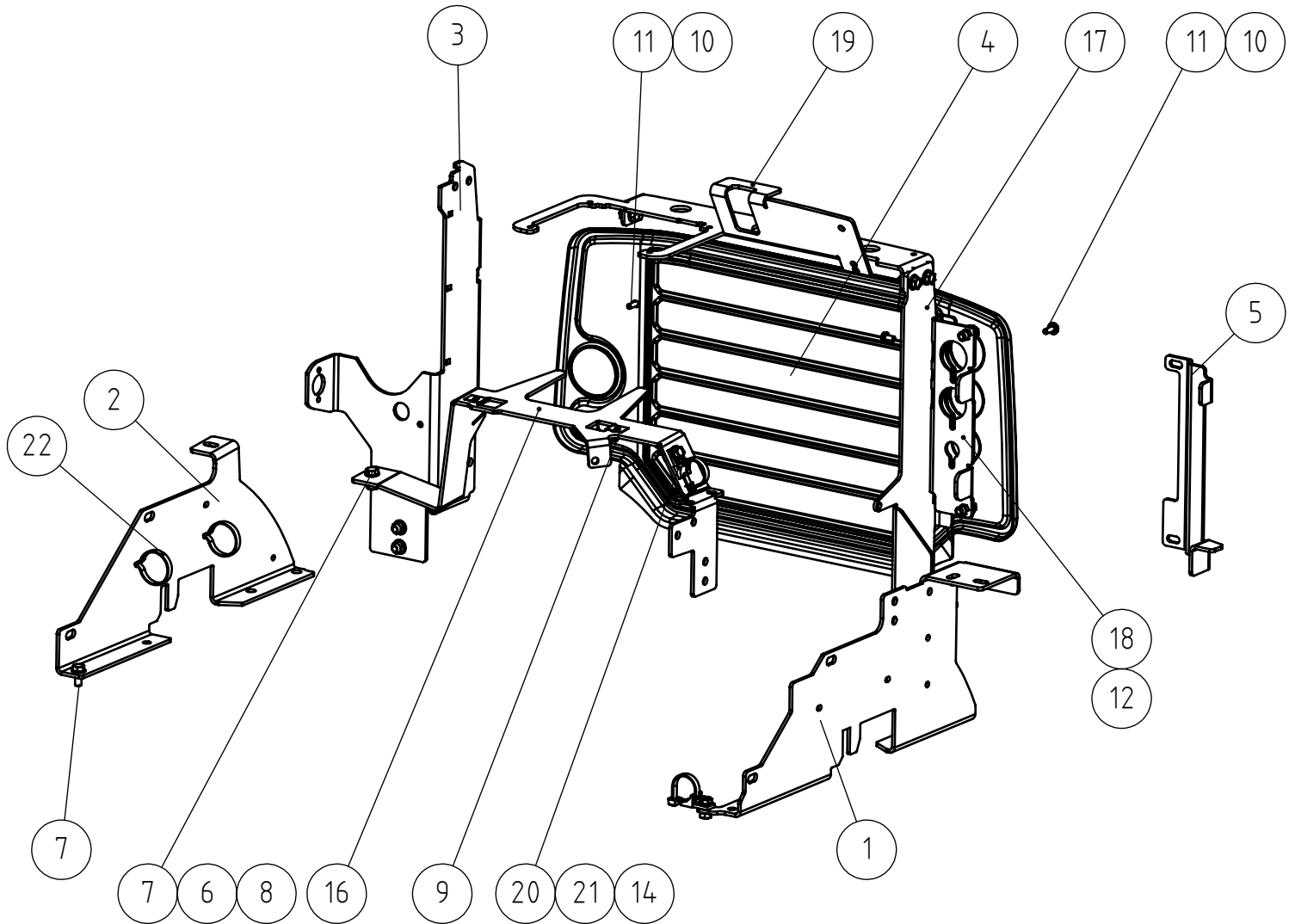
8.4.2024

**A48669 FUEL TANK 20 L, COMPLETE**

REF	PART NO	QTY	DESCRIPTION	NOTES	PAGE
1	A48676	1	FUEL TANK 20 LITRES		-
2	A43531	1	NIPPLE F7MM		-
3	72322	2	HEXAGONAL NUT M 10 NYLOC DIN 985		-
4	73121	2	WASHER M10 A10,5 DIN 125 ZN		-
5	74774	2	O-RING NBR F 10*3		-
6	A431880	1	NIPPLE 7,9MM FUEL TANK		-
7	65088	1	SENSOR, FUEL GAUGE		-
7.1	A435545	1	SEAL RING FUEL SENSOR 72/48-5		-
8	66313	1	FUEL TANK CAP		-
9	75130	6	THREAD-FORMING SCREW M5*25		-
10	A422526	1	CHECK VALVE FUEL TANK		-
11	A422532	1	FUEL HOSE L=350		-

8.4.2024

# A37475 MOUNTING BRACKETS, COVER PLATES REAR CHA



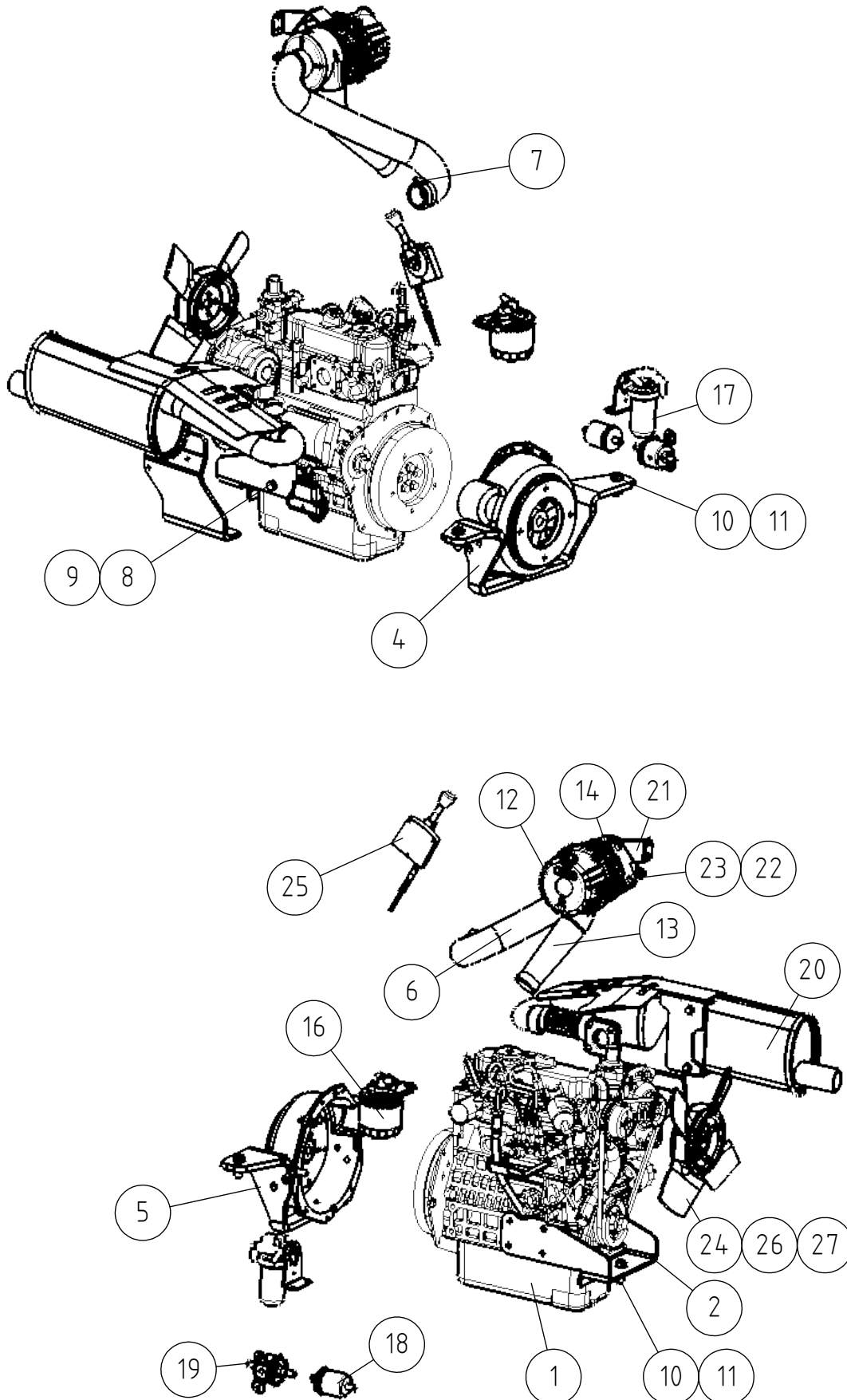
8.4.2024

**A37475 MOUNTING BRACKETS, COVER PLATES REAR CHA**

REF	PART NO	QTY	DESCRIPTION	NOTES	PAGE
1	A414852	1	SIDE PLATE, LEFT		-
2	A414919	1	SIDE PLATE, RIGHT		-
3	A423201	1	FRAME, RIGHT		-
4	A423004	1	REAR GRILLE 420-523		-
5	A423027	1	BRACKET, FUEL TANK		-
6	73122	3	WASHER M8 A8,4 DIN 125 ZN		-
7	72130	2	HEXAGONAL SCREW M8*20		-
8	72319	1	HEXAGONAL NUT M8 DIN 934		-
9	74807	2	SPEED NUT M6, FOR 0.5-4.0 MM PLATE		-
10	74768	4	WASHER CONICAL M6		-
11	74767	4	RAISED COUNTERSUNK HEAD SCREW M6*20		-
12	A444170	3	THREAD-FORMING SCREW M6*12 DIN 7500CE		-
13	A429197	2	HEXAGONAL SERRATED SCREW M8*12 W. FLANGE		-
14	A450046	11	HEXAGONAL NUT M8 WITH FLANGE		-
15	A429201	9	HEXAGONAL SERRATED SCREW M8*20 WITH		-
16	A457750	1			-
17	A459493	1			-
18	A459544	1			-
19	A459046	1			-
20	A442641	2	CABLE TIE 7,6*390 M8 BLACK		-
21	A429200	2	HEXAGONAL SERRATED SCREW M8*16 WITH		-
22	A449992	2	CABLE TIE 7,6*375		-

8.4.2024

# A37338 ENGINE D902 ASSEMBLY

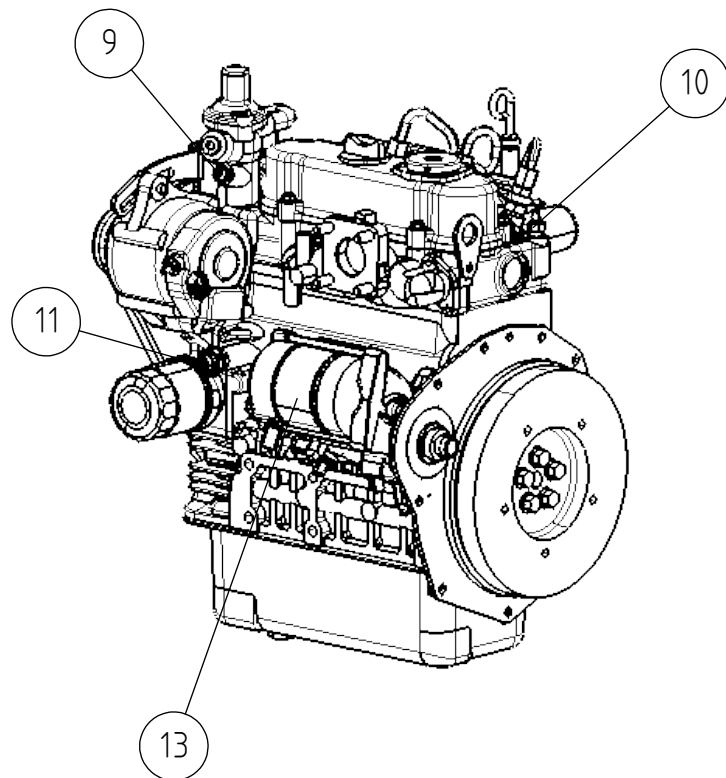
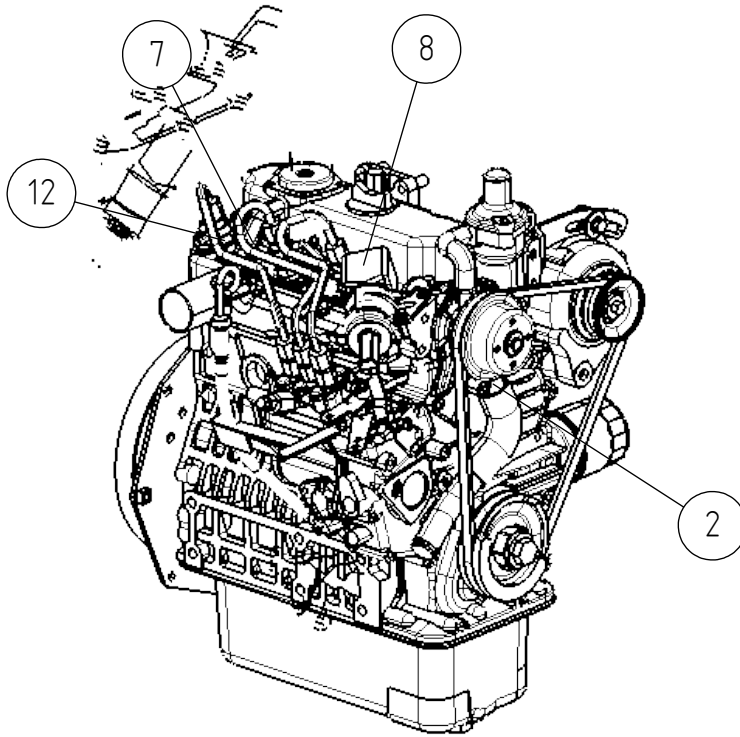


8.4.2024

**A37338 ENGINE D902 ASSEMBLY**

REF	PART NO	QTY	DESCRIPTION	NOTES	PAGE
1	66511	1	DIESEL ENGINE KUBOTA D902 WITHOUT		46
1.1	64430	1	TRAPEZ. BELT GENERATOR KUBOTA Z482/D722		-
1.2	64486	1	SENSOR, TEMP. GAUGE COBO		-
1.3	64207	1	ENGINE OIL FILTER KUBOTA Z482/D722		-
1.4	65522	1	STOP SOLENOID D722 17520-60012		-
1.5	A443823	1	TEMPERATURE SWITCH 82°C KUBOTA		-
1.6	A444459	1	TEMPERATURE SWITCH 115° C KUBOTA		-
2	A422557	1	MOUNTING BRACKET MIDDLE, ENGINE D902/523		-
3	A422594	1	FLYWHEEL HOUSING D902		48
4	A422598	1	MOUNTING BRACKET FRONT, ENGINE D902		-
5	A422559	1	MOUNTING BRACKET LEFT, ENGINE D902/523		-
6	A422657	1	INLET HOSE FROM AIR FILTER D902		-
7	64338	1	HOSE CLAMP ABA 44-56 MM		-
8	74531	4	SPACER NORDLOCK M10, PAIR		-
9	74789	4	HEXAGONAL SCREW M10*1,25-20		-
10	73042	3	HEX. SCREW M12*35 DIN 933 ZN		-
11	74532	3	WASHER NORDLOCK NL12		-
12	66469	1	AIR FILTER, COMPLETE, D902, 423/523		-
12.1	66516	1	AIR FILTER CARTRIDGE 423/523 KUBOTA D902		-
13	A419968	1	SUCTION DAMPER AIR FILTER 420-523		-
14	66468	1	CLAMP, AIR FILTER 66469		-
15	A422710	1	FUEL HOSE ASSEMBLY D902 423/523		-
16	64868	1	FUEL FILTER, KIT, KUBOTA		-
16.1	64626	1	FUEL FILTER CARTRIDGE 15221-4308-0		-
17	64920	1	WATER SEQUESTER, KIT, KUBOTA 16614-43001		-
17.1	64963	1	FILTER CARTR., WATER SEQUESTER		-
18	64657	1	FUEL FILTER IN HOSE 12581-43012 D1105		-
19	64625	1	FUEL PUMP ELECTR.		-
20	A37374	1	EXHAUST MUFFLER ASSEMBLY D902 423/523		50
21	A422697	1	BRACKET, AIR FILTER		-
22	72319	2	HEXAGONAL NUT M8 DIN 934		-
23	75131	2	BUTTON HEAD SOCKET CAP SCREW M8*12 10.9		-
24	66449	1	FAN F315 4 BLADE		-
25	A420564	1	HAND THROTTLE WITH GAS WIRE L=2700MM		-
25.1	A47712	1	THROTTLE WIRE L=3000/2700		-
26	72117	4	HEXAGONAL SCREW M6*16 DIN 933		-
27	75101	4	SPACER NORDLOCK M6 NL6SP, PAIR		-

# 66511 DIESEL ENGINE KUBOTA D902 WITHOUT



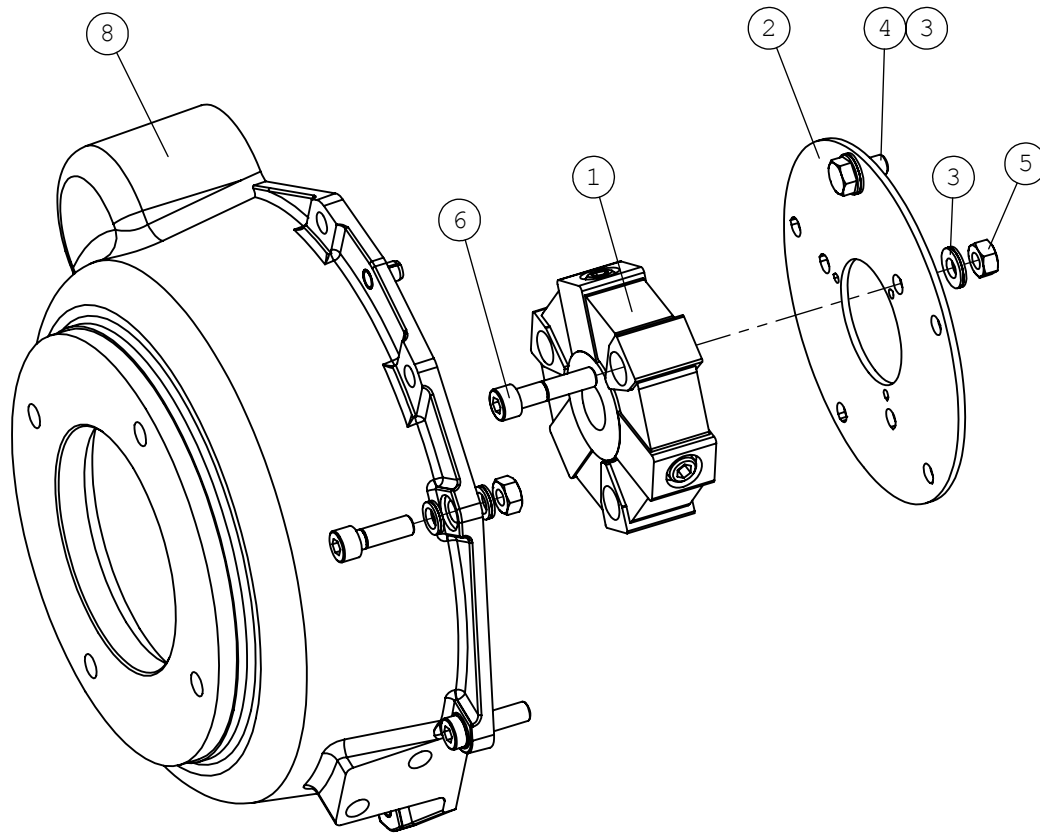
8.4.2024

**66511 DIESEL ENGINE KUBOTA D902 WITHOUT**

REF	PART NO	QTY	DESCRIPTION	NOTES	PAGE
1	66511	1	DIESEL ENGINE KUBOTA D902 WITHOUT		46
1.1	64207	1	ENGINE OIL FILTER KUBOTA Z482/D722		-
2	A451727	1	WATER PUMP KUBOTA D902		-
3	64430	1	TRAPEZ. BELT GENERATOR KUBOTA Z482/D722		-
4	65145	1	ALTERNATOR KUBOTA 40A		-
5	A443823	1	TEMPERATURE SWITCH 82°C KUBOTA		-
6	A429739	1	GASKET THERMOSTAT KUBOTA		-
7	64285	3	GLOW PLUG KUBOTA Z482/D722/D1105		-
8	65522	1	STOP SOLENOID D722 17520-60012		-
9	64486	1	SENSOR, TEMP. GAUGE COBO		-
10	A444459	1	TEMPERATURE SWITCH 115° C KUBOTA		-
11	64428	1	OIL PRESSURE SENSOR, Z482/D722		-
12	A451754	3	INJECTOR NOZZLE ASSEMBLY D902		-
13	64654	1	STARTER MOTOR KUBOTA D722 1,4 KW		-
14	A432222	1	SEAL KIT VALVE ROD		-
-	64430	1	TRAPEZ. BELT GENERATOR KUBOTA Z482/D722		-
-	64486	1	SENSOR, TEMP. GAUGE COBO		-
-	64207	1	ENGINE OIL FILTER KUBOTA Z482/D722		-
-	65522	1	STOP SOLENOID D722 17520-60012		-
-	A443823	1	TEMPERATURE SWITCH 82°C KUBOTA		-
-	A444459	1	TEMPERATURE SWITCH 115° C KUBOTA		-

8.4.2024

# A422594 FLYWHEEL HOUSING D902





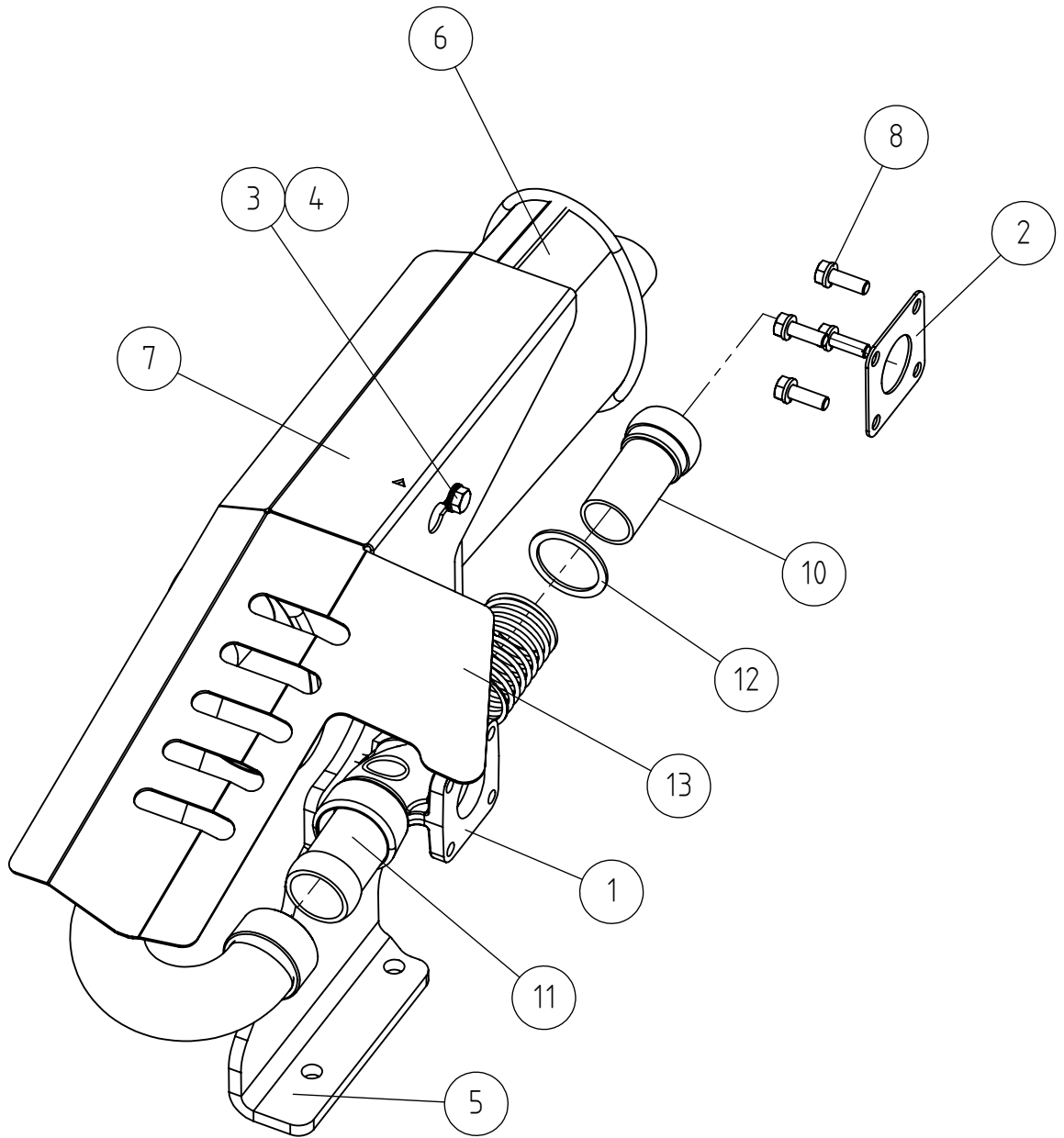
8.4.2024

**A422594 FLYWHEEL HOUSING D902**

REF	PART NO	QTY	DESCRIPTION	NOTES	PAGE
1	64686	1	COUPLING CENTAFLEX A004-1-AVANT3 Z=13		-
2	A422593	1	ADAPTER FLANGE TO CENTAFLEX 43 COUPLING		-
3	63944	2	WASHER, PAIR, NORD-LOCK M8		-
4	73039	1	HEXAGONAL SCREW M 8*16 DIN 933 ZN		-
5	72319	2	HEXAGONAL NUT M8 DIN 934		-
6	74482	1	HEXAGONAL HEAD SCREW M8* 35 DIN 912		-
7	73100	1	HEXAGONAL HEAD SCREW M8*30 DIN 912 2		-
8	66502	1	FLYWHEEL HOUSING KUBOTA SAE B		-
9	75100	3	SPACER NORDLOCK M8 NL8, PAIR		-
10	71884	1	HEXAGONAL HEAD SCREW M 8*25 DIN 912 2		-

8.4.2024

# A37374 EXHAUST MUFFLER ASSEMBLY D902 423/523



8.4.2024

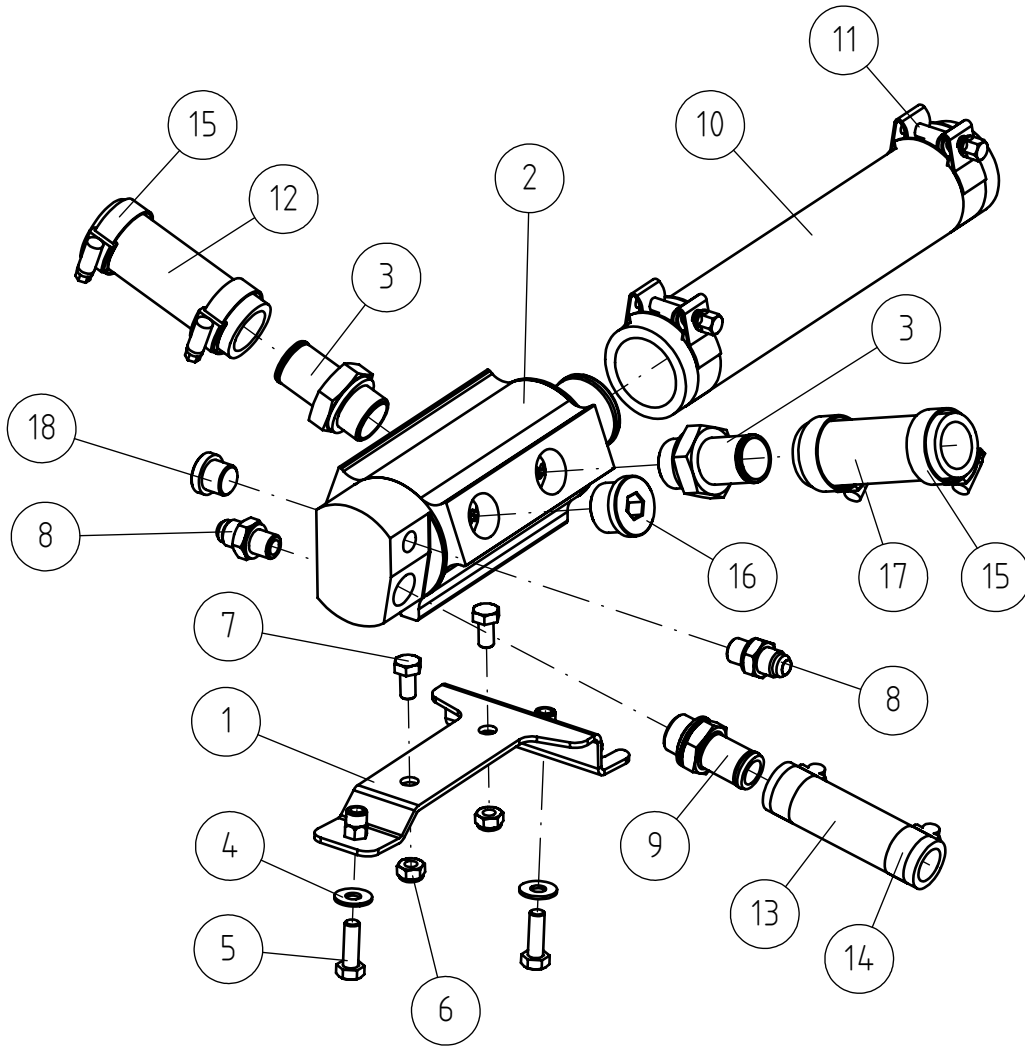
**A37374 EXHAUST MUFFLER ASSEMBLY D902 423/523**

REF	PART NO	QTY	DESCRIPTION	NOTES	PAGE
1	A457287	1	ADAPTER TUBE EXHAUST MUFFLER D902 D1105		-
2	64280	1	SEAL, EXHAUST PIPE, KUBOTA Z482/D722		-
3	72133	2	HEXAGONAL SCREW M8*30 DIN 933		-
4	63944	2	WASHER, PAIR, NORD-LOCK M8		-
5	A435131	1	BRACKET EXHAUST MUFFLER 400/500 SERIES		-
6	A37364	1	EXHAUST MUFFLER D902		-
6.1	A424843	1	EXHAUST PURIFIER 423/523		-
7	A420183	1	HEAT SHIELD EXHAUST PIPE		-
8	73962	4	WASHER M 8 DIN 127		-
9	72132	4	HEXAGONAL SCREW M 8*25 DIN 933 ZN		-
10	A46003	1	EXHAUST PIPE, INNER		-
11	A46004	1	EXHAUST PIPE, OUTER		-
12	A46002	2	RING		-
13	A46005	1	SPRING 3*41*140 NT 8,5		-
14	A442641	1	CABLE TIE 7,6*390 M8 BLACK		-
15	A450046	1	HEXAGONAL NUT M8 WITH FLANGE		-
16	A429201	1	HEXAGONAL SERRATED SCREW M8*20 WITH		-

8.4.2024

# A455463 HYDRAULIC MANIFOLD ASSEMBLY 400 SERIES

Starting from week 15/2023  
Previous assembly A427392

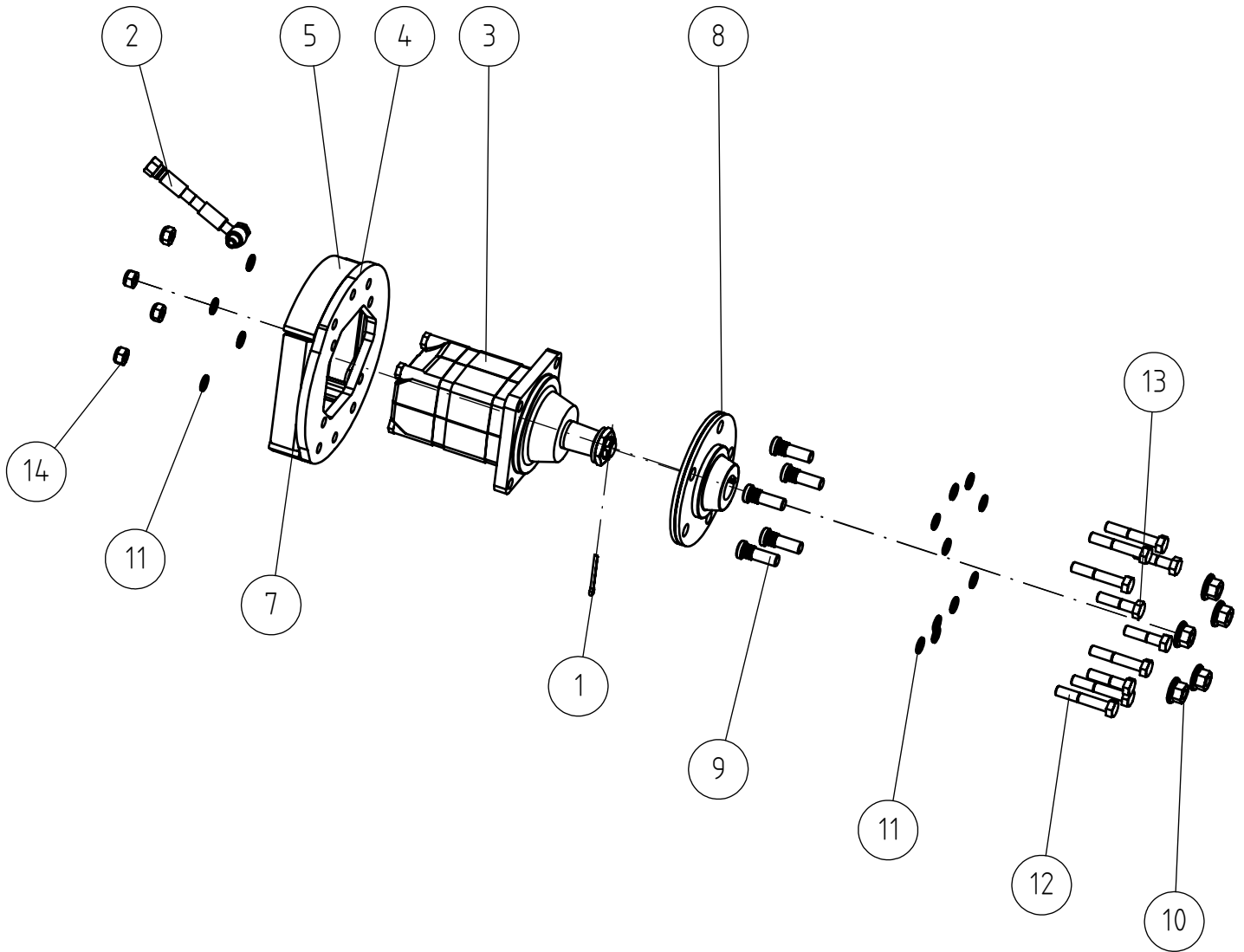


8.4.2024

**A455463 HYDRAULIC MANIFOLD ASSEMBLY 400 SERIES**

REF	PART NO	QTY	DESCRIPTION	NOTES	PAGE
1	A429660	1	MOUNTING BRACKET HYDRAULIC MANIFOLD		-
2	A450772	1	HYDRAULIC MANIFOLD ASSEMBLY		-
3	66107	2	HOSE BARB R3/4"UK - 25 MM L=58		-
4	74525	2	WASHER M8 8,4*20*1,25 ZN		-
5	72132	2	HEXAGONAL SCREW M 8*25 DIN 933 ZN		-
6	72320	2	HEXAGONAL NUT M8 NYLOC DIN 985		-
7	73039	2	HEXAGONAL SCREW M 8*16 DIN 933 ZN		-
8	64059	2	BASIC FITTING F40XS10-1/4		-
9	66428	1	HOSE BARB R1/2"UK - 20MM		-
10	A427317	1	INLET HOSE F53/F40-280 TANK - MANIFOLD		-
11	66013	2	PIPE CLAMP POWER-FLEX S-048-		-
12	A448235	1	INLET HOSE L=480 D25		-
13	A427319	1	HYDR. HOSE L=550 D19		-
14	73530	2	HOSE CLAMP 22-32 MM		-
15	73809	4	HOSE CLAMP 32-44 MM		-
16	73768	1	HEXAGONAL PLUG HF-3/4" WITH SEAL		-
17	A427074	1	INLET HOSE L=540 D25		-
18	74411	1	HEXAGONAL PLUG HF 3/8" HTUNG		-

# A438936 HYDRAULIC MOTOR REAR ASSEMBLY OMSW315

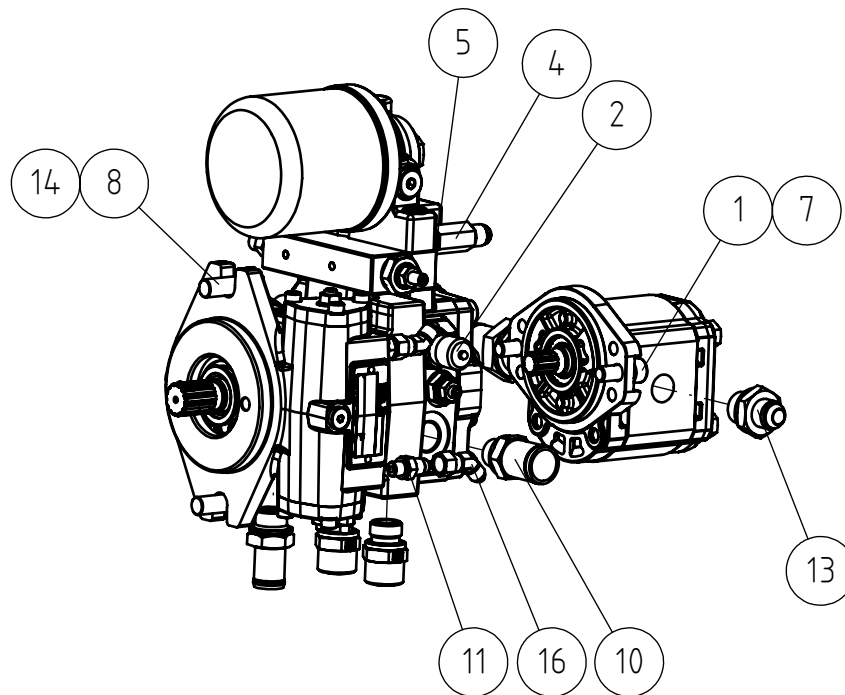
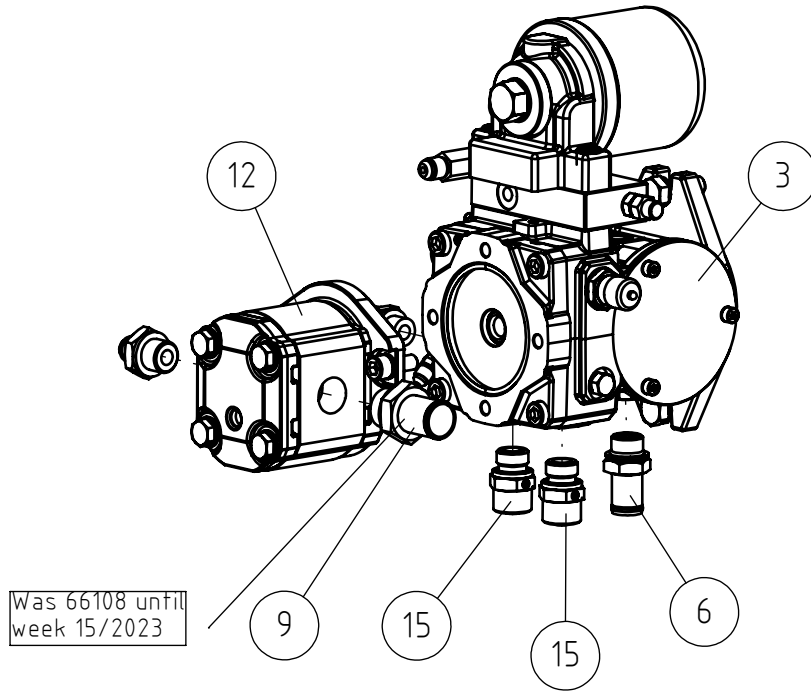


8.4.2024

**A438936 HYDRAULIC MOTOR REAR ASSEMBLY OMSW315**

REF	PART NO	QTY	DESCRIPTION	NOTES	PAGE
1	71837	1	SPLIT PIN 5*50 DIN 94		-
2	A428538	1	DRAIN LINE HOSE ASSEMBLY AVANT 400		-
3	64651	1	HYDRAULIC MOTOR OMSW 315 151F0234		-
3.1	64610	1	SEAL KIT 41 5129 1001 M+S EPMS MOTOR		-
4	A438901	1	MOUNTING PLATE HYDRAULIC MOTOR REAR		-
5	A438906	2	ADAPTER PLATE HYDRAULIC MOTOR REAR AVANT		-
6	A438917	1	PROTECTIVE PLATE HYDRAULIC MOTOR REAR		-
7	A438940	1	PROTECTIVE PLATE HYDRAULIC MOTOR REAR		-
8	A434170	1	WHEEL HUB 5-BOLT OMSW AVANT 423		-
9	A413300	5	WHEEL BOLT M14X1.5 L=45 10.9		-
10	74866	5	WHEEL NUT M14*1.5 AV22 POCLAIN		-
11	74532	14	WASHER NORDLOCK NL12		-
12	A440119	6	HEXAGONAL SCREW M12*70 DIN 931		-
13	74490	4	HEXAGONAL SCREW M12*50 DIN 931 ZN		-
14	72324	4	HEXAGONAL NUT M 12 NYLOC DIN 985		-

# A433806 HYDRAULIC PUMPS ASSEMBLY AVANT 423





8.4.2024

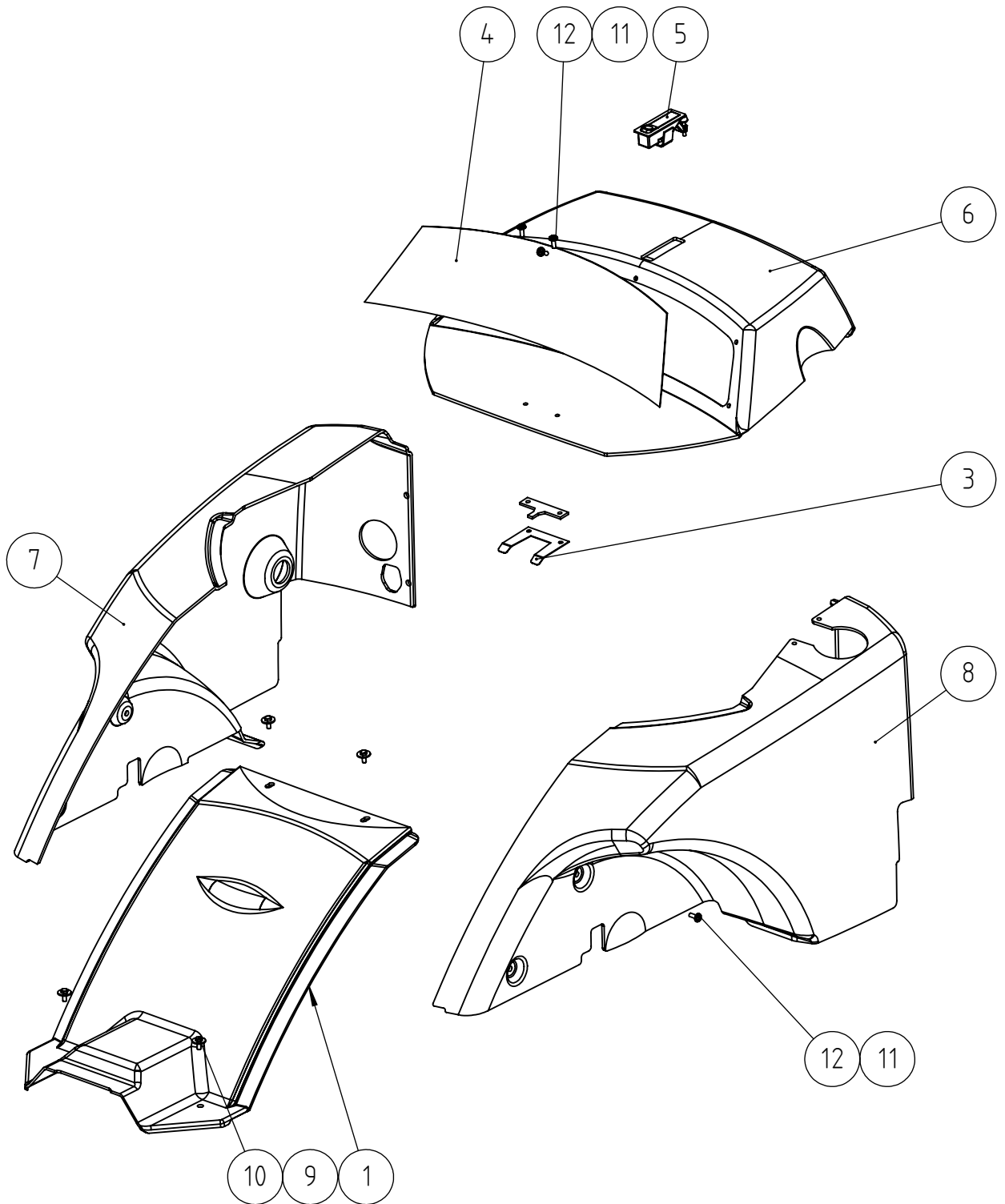
**A433806 HYDRAULIC PUMPS ASSEMBLY AVANT 423**

REF	PART NO	QTY	DESCRIPTION	NOTES	PAGE
1	74466	2	HEXAGONAL HEAD SCREW M10* 25		-
2	64196	2	MANOMETER FITTING M16*2		-
3	A430253	1	VARIABLE DISPLACEMENT PUMP AVANT 423		-
3.1	66414	1	FASTENING BOLT PRESSURE FILTER BONDIOLI		-
4	A413348	1	FITTING 1/8" UNF 9/16" JIC		-
5	64158	1	SEAL USIT R1/8"		-
6	66428	1	HOSE BARB R1/2"UK - 20MM		-
7	74531	2	SPACER NORDLOCK M10, PAIR		-
8	73042	2	HEX. SCREW M12*35 DIN 933 ZN		-
9	66107	1	HOSE BARB R3/4"UK - 25 MM L=58		-
10	66240	1	HOSE BARB R1/2"UK-25 MM L=53,5		-
11	64793	2	BASIC FITTING F40XS6-1/8"		-
12	A428338	1	HYDRAULIC PUMP 10 CM3		-
13	64058	1	BASIC FITTING F40XS12-1/2		-
14	74532	2	WASHER NORDLOCK NL12		-
15	65372	2	BASIC FITTING G1/2" 10F42EDMLOS		-
16	65587	2	ELBOW FITTING 45° UNF 7/16" JIC		-

8.4.2024

ABS

# A37489 COVER PLATES REAR CHASSIS 420-523, KIT



8.4.2024

ABS

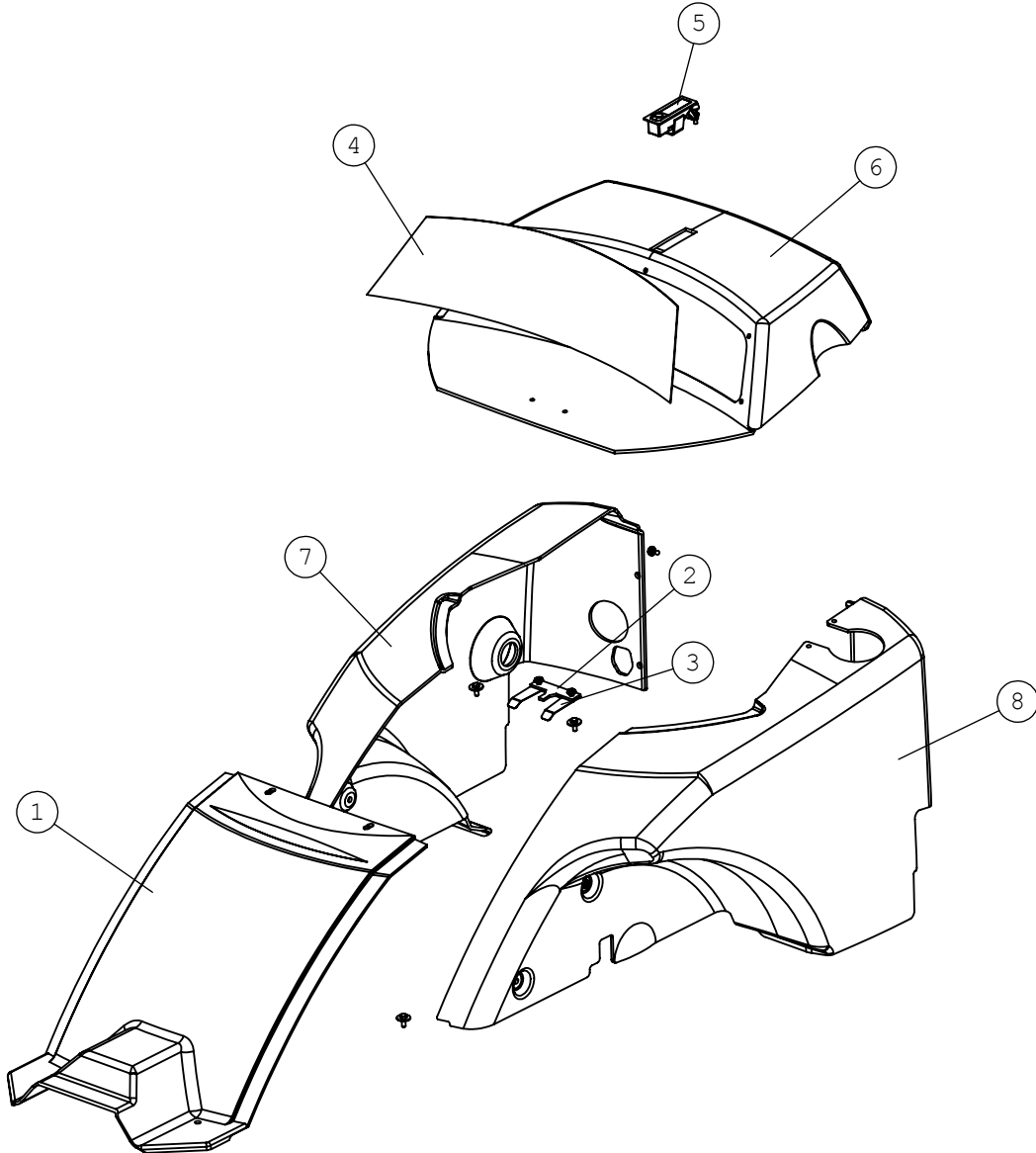
**A37489 COVER PLATES REAR CHASSIS 420-523, KIT**

REF	PART NO	QTY	DESCRIPTION	NOTES	PAGE
1	A48464	1	COVER PLATE, REAR, CENTER		-
2	A48469	1	CLAMP		-
3	A48479	1	BRACKET		-
4	A49129	1	NET		-
5	65085	1	LATCH		-
6	A416604	1	COVER PLATE, ENGINE, 420/520, 2013/13 =>		-
7	A423265	1	COVER PLATE, REAR, RIGHT, ABS 420-523		-
8	A423264	1	COVER PLATE, REAR, LEFT, ABS 420-523		-
9	71681	4	WASHER M6 DIN 440		-
10	72117	4	HEXAGONAL SCREW M6*16 DIN 933		-
11	74768	4	WASHER CONICAL M6		-
12	74767	4	RAISED COUNTERSUNK HEAD SCREW M6*20		-

8.4.2024

PC/HD, optional extra

# A426056 COVER PLATES POLYCARB REAR CHASSIS



8.4.2024

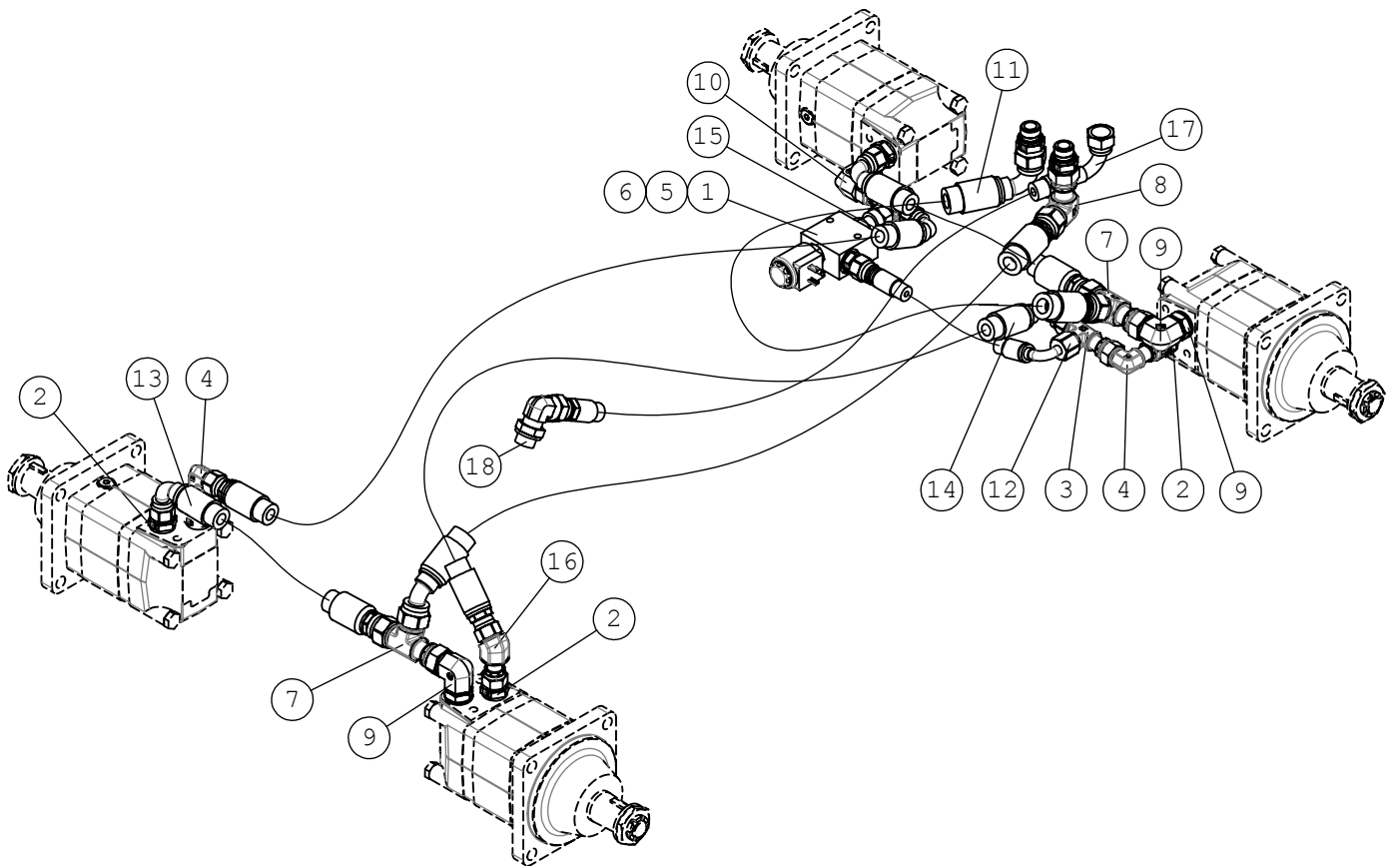
PC/HD, optional extra

**A426056 COVER PLATES POLYCARB REAR CHASSIS**

REF	PART NO	QTY	DESCRIPTION	NOTES	PAGE
1	A48464	1	COVER PLATE, REAR, CENTER		-
2	A48469	1	CLAMP		-
3	A48479	1	BRACKET		-
4	A49129	1	NET		-
5	65085	1	LATCH		-
6	A416796	1	COVER PLATE, ENGINE, HD, 420/520		-
7	A426032	1	COVER PLATE HD POLYCARB REAR RIGHT		-
8	A426035	1	COVER PLATE HD POLYCARB REAR LEFT		-
9	71681	4	WASHER M6 DIN 440		-
10	72117	4	HEXAGONAL SCREW M6*16 DIN 933		-
11	74768	4	WASHER CONICAL M6		-
12	74767	4	RAISED COUNTERSUNK HEAD SCREW M6*20		-

8.4.2024

# A34544 HYDR. HOSES, DRIVE CIRCUIT, O-LOCK FITTI



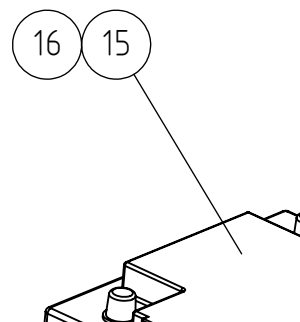
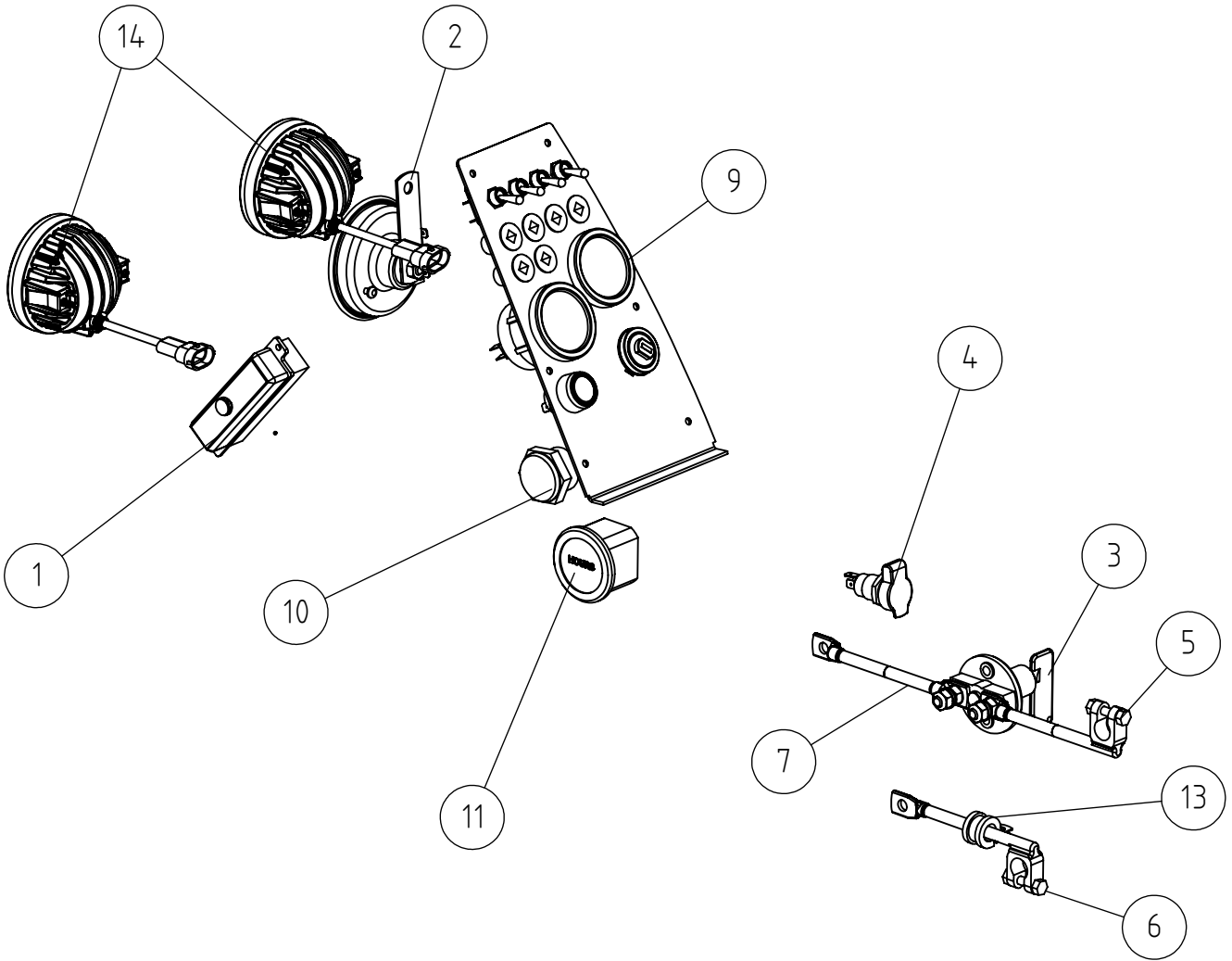
8.4.2024

**A34544 HYDR. HOSES, DRIVE CIRCUIT, O-LOCK FITTI**

REF	PART NO	QTY	DESCRIPTION	NOTES	PAGE
1	64676	1	SOLENOID VALVE WK08W-01-SB3-N-12DG		-
2	65310	5	BASIC FITTING 8-8F42EDMLOS		-
3	65337	2	L FITTING 8R6MLOS		-
4	65300	2	ELBOW FITTING 90DEGR. 8C6MLOS		-
5	65312	1	BASIC FITTING 8F42EDMLOS		-
6	65324	1	CONNECTOR NIPPLE 8F642EDMLS		-
7	65338	2	L FITTING 10R6MLOS		-
8	65301	1	ELBOW FITTING 90 DGER. 10C6MLOS		-
9	65373	2	ELBOW FITTING 90 DEGR. 10C40MLOS		-
10	65290	1	ELBOW FITTING 90 DEGR. 8-8C40MLOS		-
11	A411344	1	HYDR. HOSE L=800 O-LOK		-
12	A411398	1	HYDR. HOSE L=280		-
13	A411399	2	HYDR. HOSE L=360		-
14	A411555	1	HYDR. HOSE L=1170		-
15	A411556	1	HYDR. HOSE L=1350		-
16	65360	1	ELBOW FITTING 45° 8V6LO-S		-
17	A415903	1	HYDR. HOSE L=850		-
18	65059	1	ELBOW FITTING 90DEGR. C40XS16-1/2"		-
19	A416656	1	HYDR. HOSE L=1210		-

8.4.2024

# A411445 ELECTRIC COMPONENTS



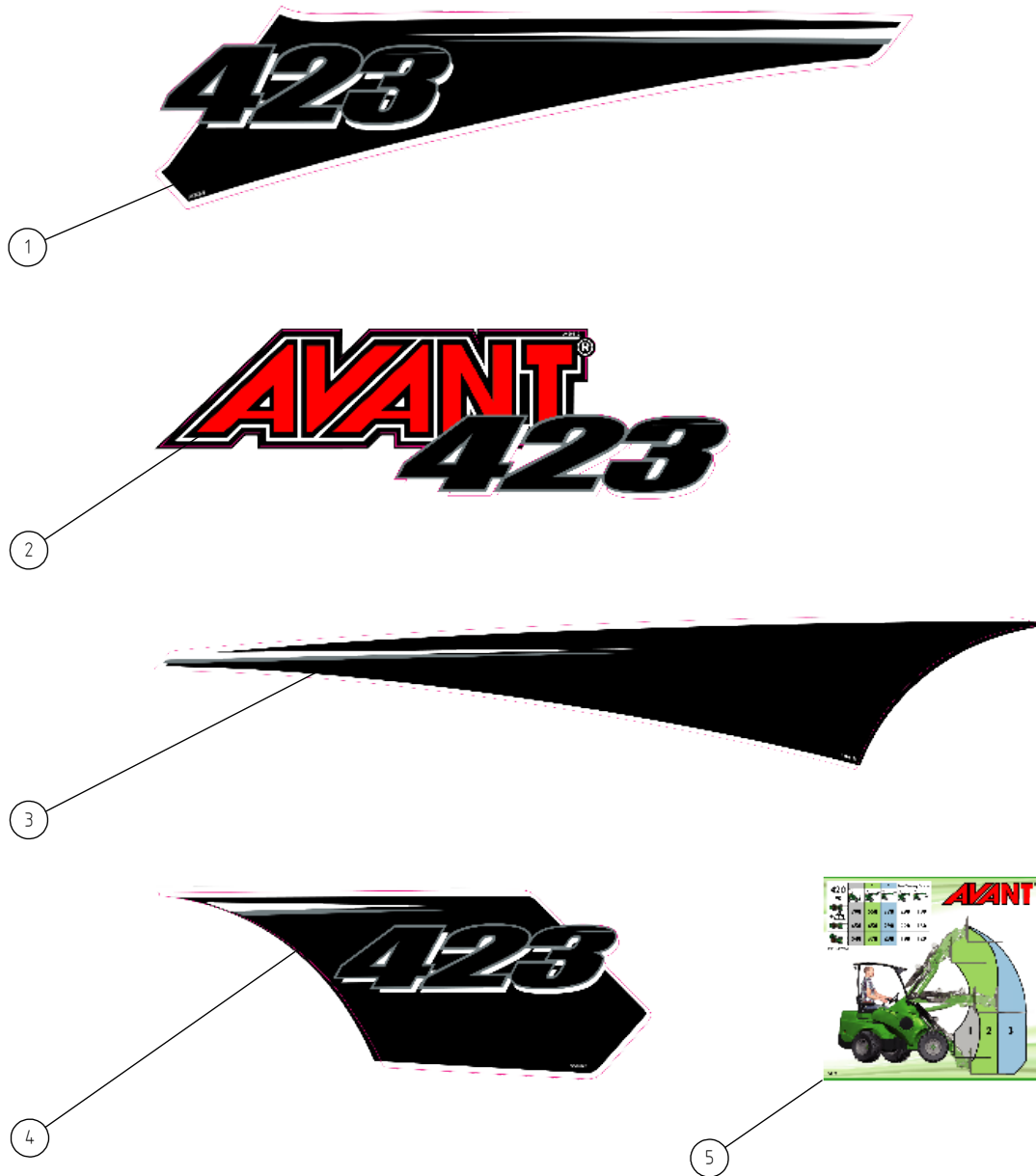


8.4.2024

**A411445 ELECTRIC COMPONENTS**

REF	PART NO	QTY	DESCRIPTION	NOTES	PAGE
1	64943	1	FUSE BOX, FOR 6 FUSES		-
2	64157	1	SIGNAL HORN COMPLETE		-
3	64141	1	BATTERY DISCONNECT SWITCH 28V/100A		-
3.1	64394	1	KEY, BATTERY DISCONNECT SWITCH C-180216		-
4	64213	1	OUTLET 12V		-
5	65071	1	CABLE, BATTERY, BLACK, L=280		-
6	65070	1	CABLE, BATTERY, RED, L=400		-
7	65069	1	CABLE, BATTERY, BLACK, L=650		-
8	A21283	1	WIRE HARNESS 600 SERIES		-
9	A410938	1	DASHBOARD		-
10	64955	1	ALARM BEEPER SONITRON SCI 535 A5 F2		-
11	64152	1	HOUR METER HK7DC		-
12	A411316	1	WIRE HARNESS, HOUR METER		-
13	74837	1	PIPE CLAMP F14 MM		-
14	66266	2	WORK LIGHT LED 1000 LUMEN 12V/8W		-
15	64844	1	BATTERY 12V 60AH 430A 097 241*175*175 MM		-
16	A437653	1	BRACKET, BATTERY 700-800 SER		-
17	A429202	2	HEXAGONAL SERRATED SCREW M8*25 WITH FLAN		-

# A430878 DECAL KIT AVANT 423

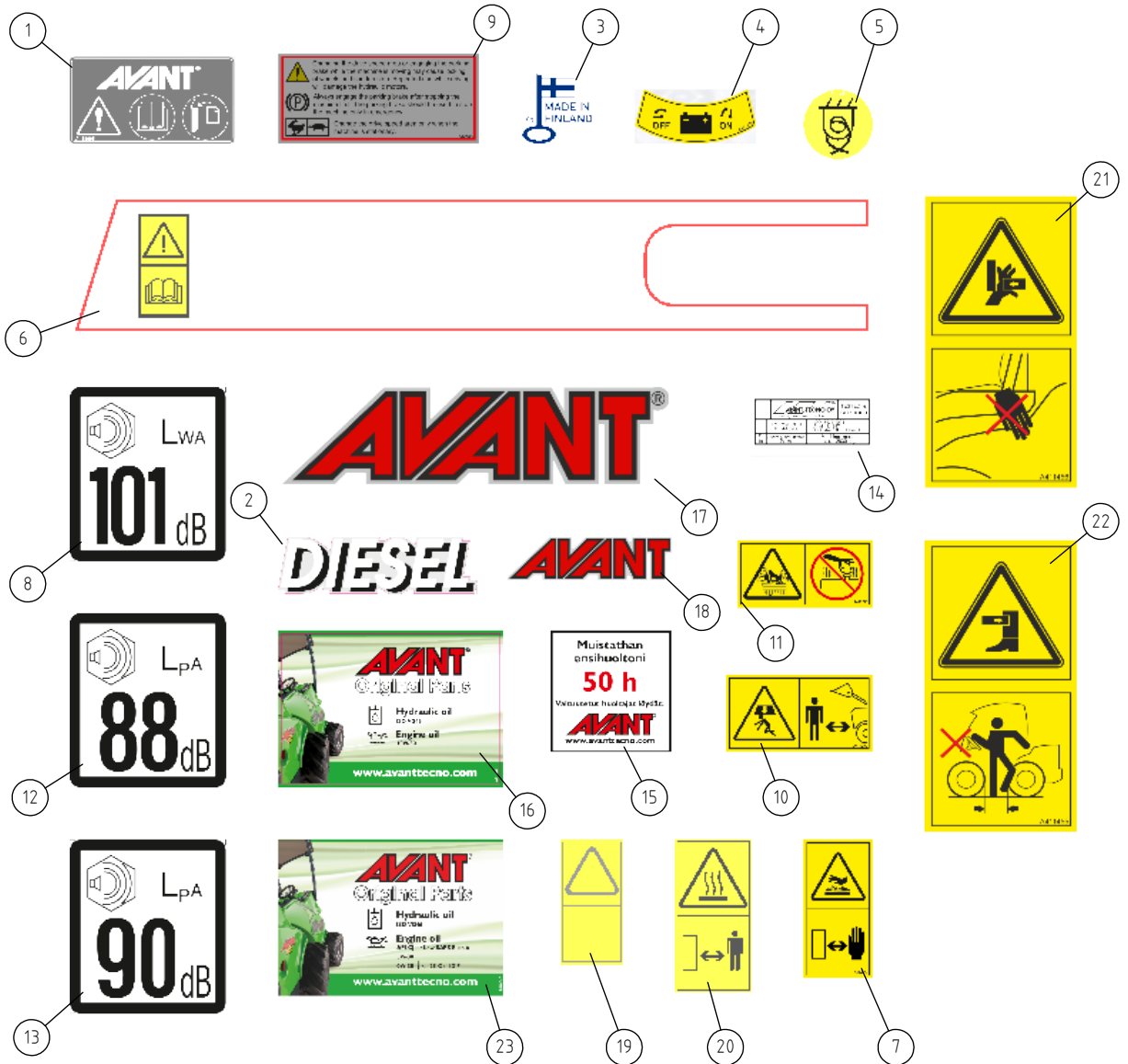


8.4.2024

**A430878 DECAL KIT AVANT 423**

REF	PART NO	QTY	DESCRIPTION	NOTES	PAGE
1	A426325	1	DECAL FRONT LEFT 423, OPTIDRIVE		-
2	A426319	1	DECAL 400, OPTI-DRIVE		-
3	A426324	1	DECAL, SIDE, 400		-
4	A426323	1	DECAL FRONT RIGHT 423 OPTIDRIVE		-
5	A419541	1	DECAL, TIPPING LOAD 420 (KG)		-

# A428313 DECAL KIT 400-800 SERIES



8.4.2024

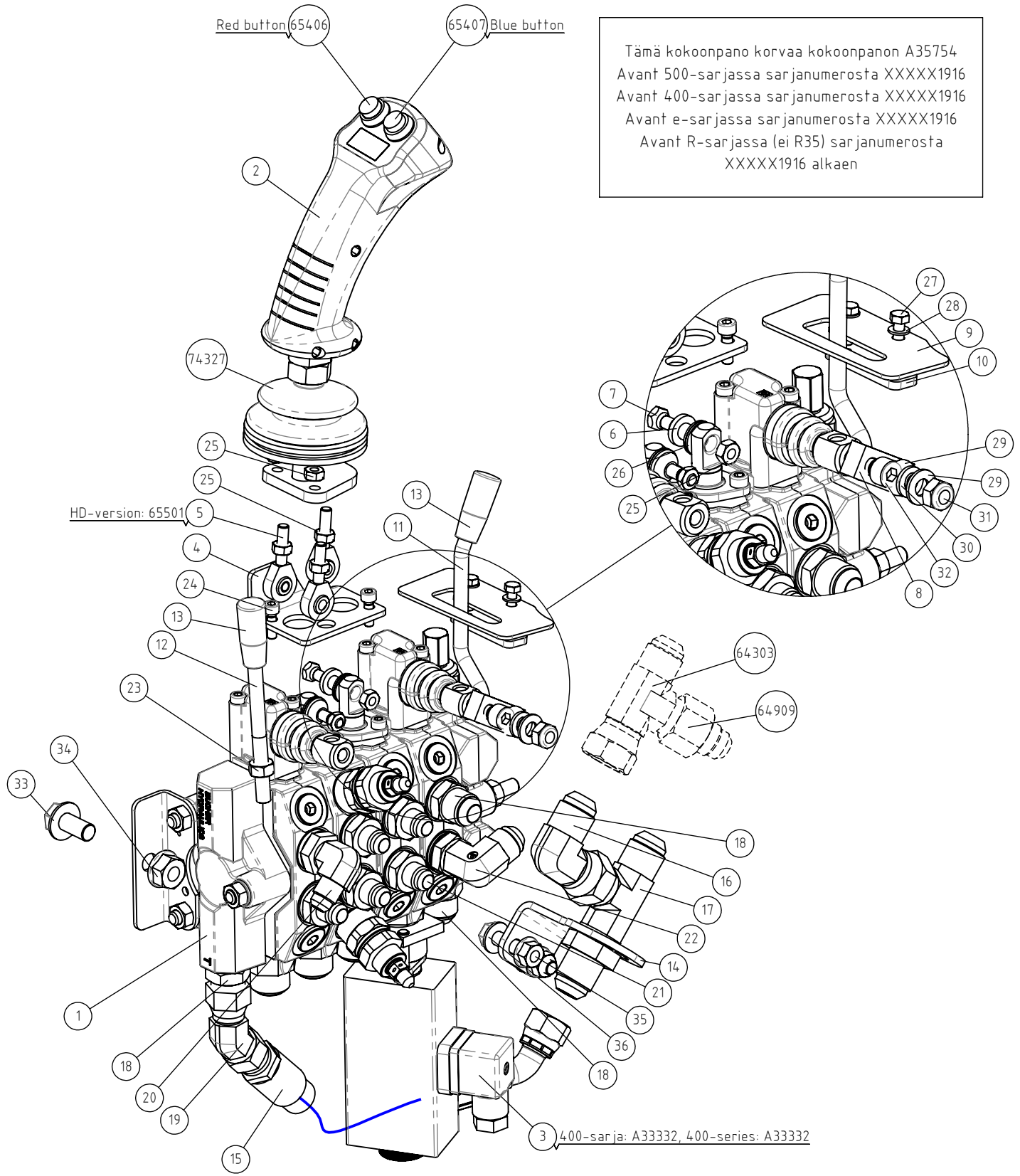
**A428313 DECAL KIT 400-800 SERIES**

REF	PART NO	QTY	DESCRIPTION	NOTES	PAGE
1	A418695	1	DECAL OPERATORS MANUAL BOX		-
2	A43594	1	DECAL "DIESEL" 32*115 BLACK-WHITE/CLEAR		-
3	A429424	1	DECAL "MADE IN FINLAND"		-
4	A417404	1	DECAL BATTERY DISCONNECT SWITCH		-
5	A414283	4	DECAL PICTOGRAM TIE DOWN POINT		-
6	A414690	1	DECAL FOOTWELL "ALWAYS PERFORM A		-
7	A417270	1	DECAL WARNING HOT SURFACE		-
8	A411047	1	DECAL "LWA 101" 90*100 BLACK/WHITE		-
9	A420357	1	DECAL FIN JARRU/VAIHDE		-
10	A417273	1	DECAL PICTOGR NEVER GO UNDER LIFTED BOOM		-
11	A417272	1	DECAL WARNING RADIATOR PRESSURE		-
12	A43600	1	DECAL LPA88 90*100 BLACK/WHITE		-
13	A411217	1	DECAL "LPA 90" 90*100 BLACK/WHITE		-
14	A49517	1	TYPE PLATE A48906 FOPS 39*90		-
15	A410924	1	DECAL ENSIHUOLTO		-
16	A415780	1	DECAL AVANT HYDRAULIC OIL/ENGINE OIL		-
17	65024	1	DECAL AVANT® EMBOSSED 56*225MM RED		-
18	65649	1	DECAL AVANT® EMBOSSED 25*95MM		-
19	A417271	1	DECAL PICTOGRAM RADIATOR STOP ENGINE		-
20	A414244	1	DECAL, WARNING HOT SURFACES		-
21	A411456	1	DECAL PICTOGRAM CRUSHING HAZ HANDS ARTIC		-
22	A411455	1	DECAL PICTOGRAM CRUSHING HAZARD LEGS		-
23	A420043	1	DECAL "HYDRAULIC OIL ENGINE OIL"		-

8.4.2024

From XXXXX1916

# A434045 CONTROL VALVE 6-FUNCT JOYSTICK 400/500



Tämä kokoonpano korvaa kokoonpanon A35754  
 Avant 500-sarjassa sarjanumerosta XXXXX1916  
 Avant 400-sarjassa sarjanumerosta XXXXX1916  
 Avant e-sarjassa sarjanumerosta XXXXX1916  
 Avant R-sarjassa (ei R35) sarjanumerosta  
 XXXXX1916 alkaen

8.4.2024

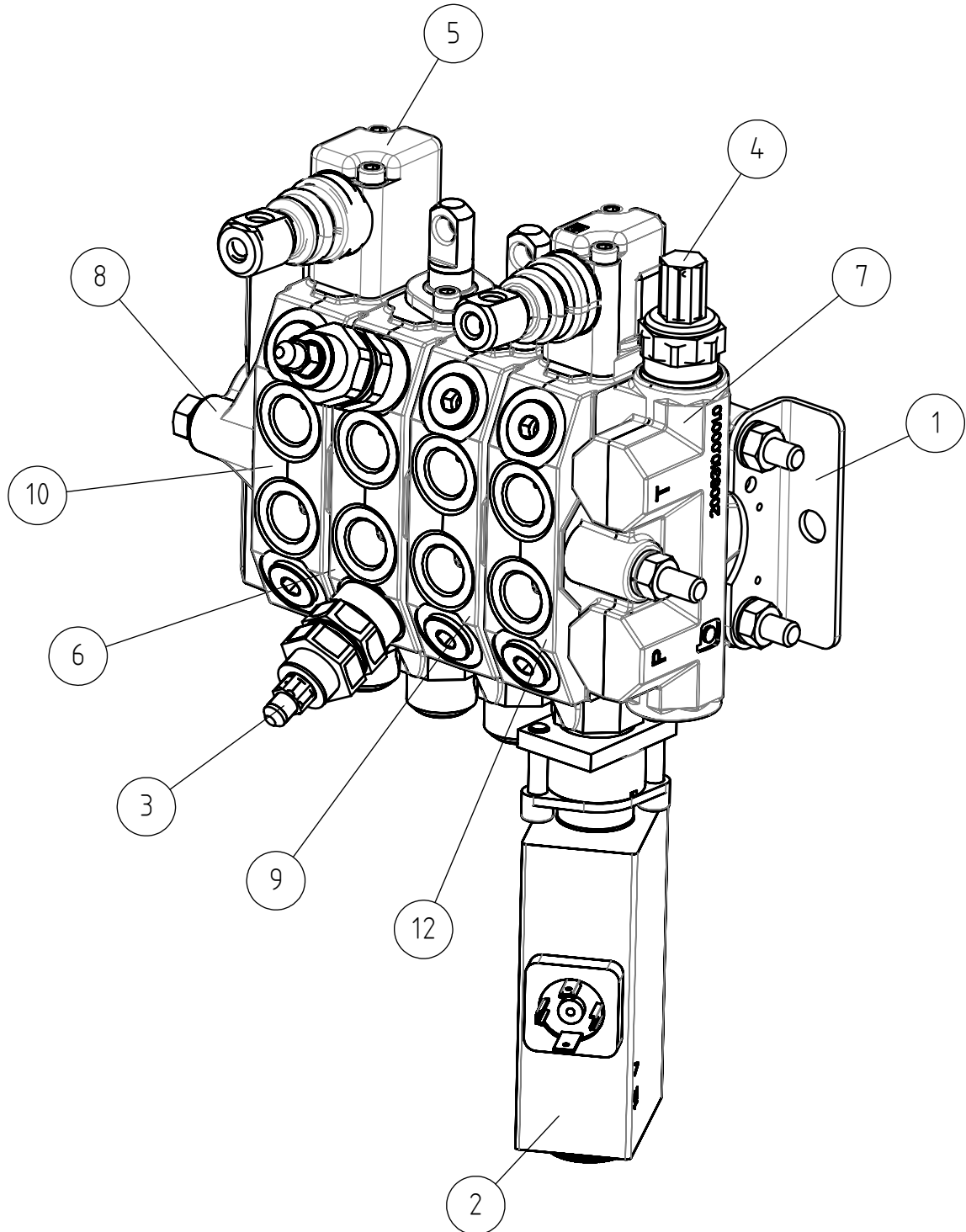
From XXXXX1916

**A434045 CONTROL VALVE 6-FUNCT JOYSTICK 400/500**

REF	PART NO	QTY	DESCRIPTION	NOTES	PAGE
1	A430922	1	CONTROL VALVE 6-FUNCT JOYSTICK 400/500		72
2	A424241	1	JOYSTICK 6 FUNCTION ASSEMBLY		-
2.1	65406	1	PUSHBUTTON, RED, AUX. HYDR. JOYSTICK		-
2.2	65407	1	PUSHBUTTON, BLUE, JOYSTICK, AUX. HYDR.		-
3	A33332	1	WIRE HARNESS JOYSTICK 600 SERIES		-
4	A42838	1	BRACKET, LINKAGE CONTROL LEVER		-
5	63690	3	ROD END BEARING ASAHI JAM 6		-
6	A41821	2	PIN, CONTROL LEVERS		-
7	A41822	2	LEVERAGE NUT M 6		-
8	A43092	1	CONNECTING PIECE, CONTROL LEVER		-
9	A48498	1	LOCKING PLATE, CONTROL LEVER		-
10	A48360	1	LOCKING PIECE		-
11	A410950	1	CONTROL LEVER, AUX. HYDR.		-
12	A411056	1	CONTROL LEVER, TELESCOPIC BOOM		-
13	74761	2	KNOB, CONTROL LEVER		-
14	A415907	1	PLATE, CONTROL VALVE, RETURN LINE		-
15	A420374	1	HYDR. HOSE L=300		-
16	64306	1	ELBOW FITTING 90 DEGR. C6XS16		-
17	65062	1	LEAD THROUGH FITTING		-
18	64042	3	BASIC FITTING F40XS12-3/8 /8		-
19	64884	1	ELBOW FITTING 45 DEGR. V6SX12		-
20	64044	1	ELBOW FITTING 90° C40XS10-3/8 /8		-
21	64041	5	BASIC FITTING F40XS10-3/8 /8		-
22	64068	1	ELBOW FITTING 90 DEGR. C40XS12-3/8 /8		-
23	72319	1	HEXAGONAL NUT M8 DIN 934		-
24	74472	2	HEXAGONAL HEAD SCREW M 5*16 DIN 912 ZN		-
25	72317	8	HEXAGONAL NUT M6 DIN 934		-
26	63944	2	WASHER, PAIR, NORD-LOCK M8		-
27	72110	2	HEX. SCREW M5*16 DIN 933		-
28	74448	2	WASHER M5 A5,3 DIN 125 ZN		-
29	73122	2	WASHER M8 A8,4 DIN 125 ZN		-
30	73962	1	WASHER M 8 DIN 127		-
31	72320	1	HEXAGONAL NUT M8 NYLOC DIN 985		-
32	74481	1	HEXAGONAL HEAD SCREW M8*20 DIN 912 ZN		-
33	A432196	2	HEXAGONAL SERRATED SCREW M10*20 W. FLANG		-
34	74783	2	HEXAGONAL NUT M10 WITH FLANGE		-
35	74782	2	HEXAGONAL NUT M8 WITH FLANGE		-
36	A429201	2	HEXAGONAL SERRATED SCREW M8*20 WITH		-

8.4.2024

# A430922 CONTROL VALVE 6-FUNCT JOYSTICK 400/500



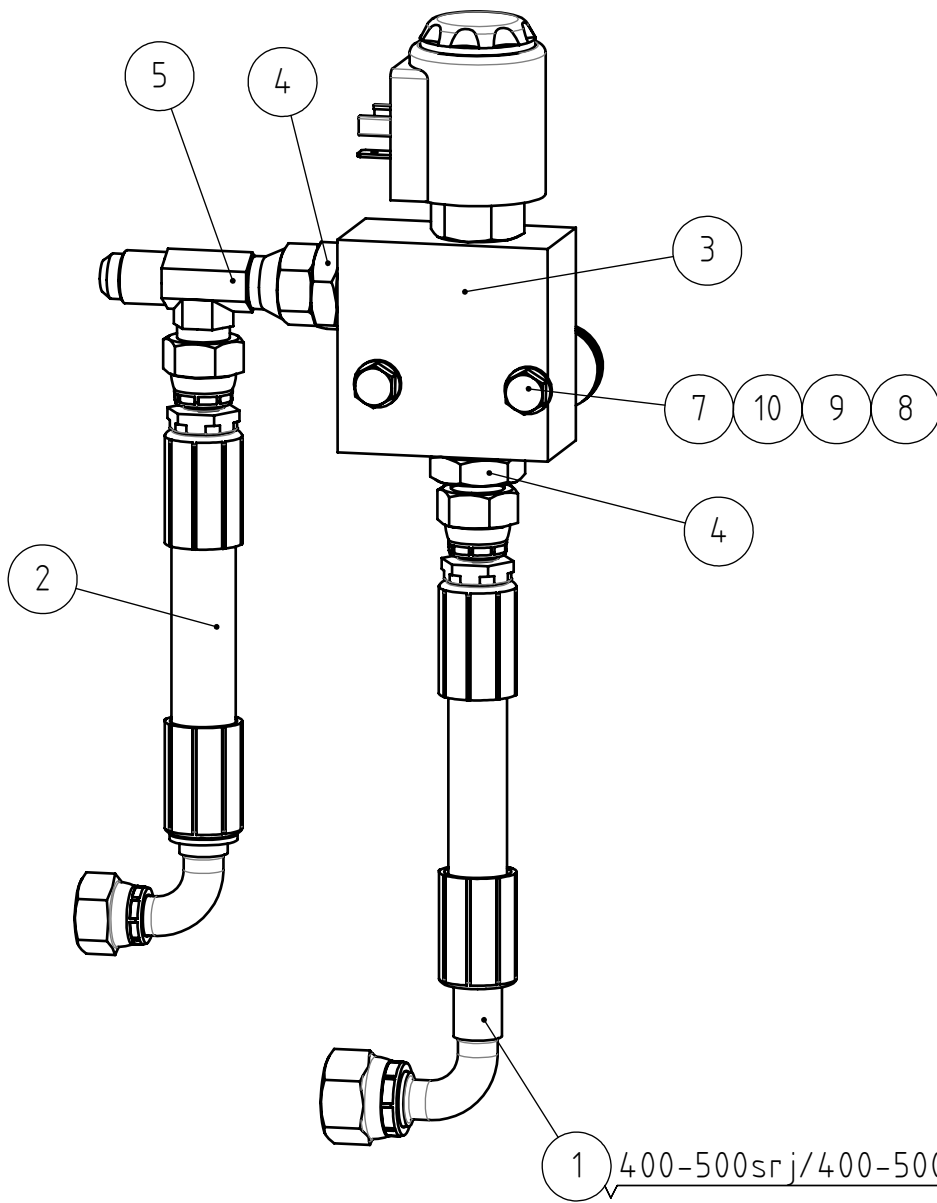


8.4.2024

**A430922 CONTROL VALVE 6-FUNCT JOYSTICK 400/500**

REF	PART NO	QTY	DESCRIPTION	NOTES	PAGE
1	A430922	1	CONTROL VALVE 6-FUNCT JOYSTICK 400/500		72
2	A434106	1	SOLENOID 12VDC/60W PUSH-PULL		-
3	64276	1	SHOCK & ANTI-CAV. VALVE HDS10 ADJUSTABLE		-
4	A431043	1	PRESSURE RELIEF VALVE CARTRIDGE HDS11/15		-
5	65524	1	LEVER MOUNTING BRACKET CONTR VALVE HDS11		-
6	64710	1	VALVE SEGMENT, TILT, WITH SHOCK 500 SERI		-
7	A450750	1	VALVE SEGMENT MAIN PRESSURE RELIEF		-
8	A450751	1	VALVE SEGMENT HDS11 END SEGMENT		-
9	A450753	1	VALVE SEGMENT LIFT CYLINDER		-
10	A450758	1	VALVE SEGMENT TELESCOPE / REAR AUX.		-
11	64349	1	SEAL KIT, CONTROL VALVE SECTION HDS10/11		-
12	A439124	1	VALVE SEGMENT HDS11 PUSH-PULL		-

# A47773 BOOM FLOATING, MACHINE WITHOUT SELF



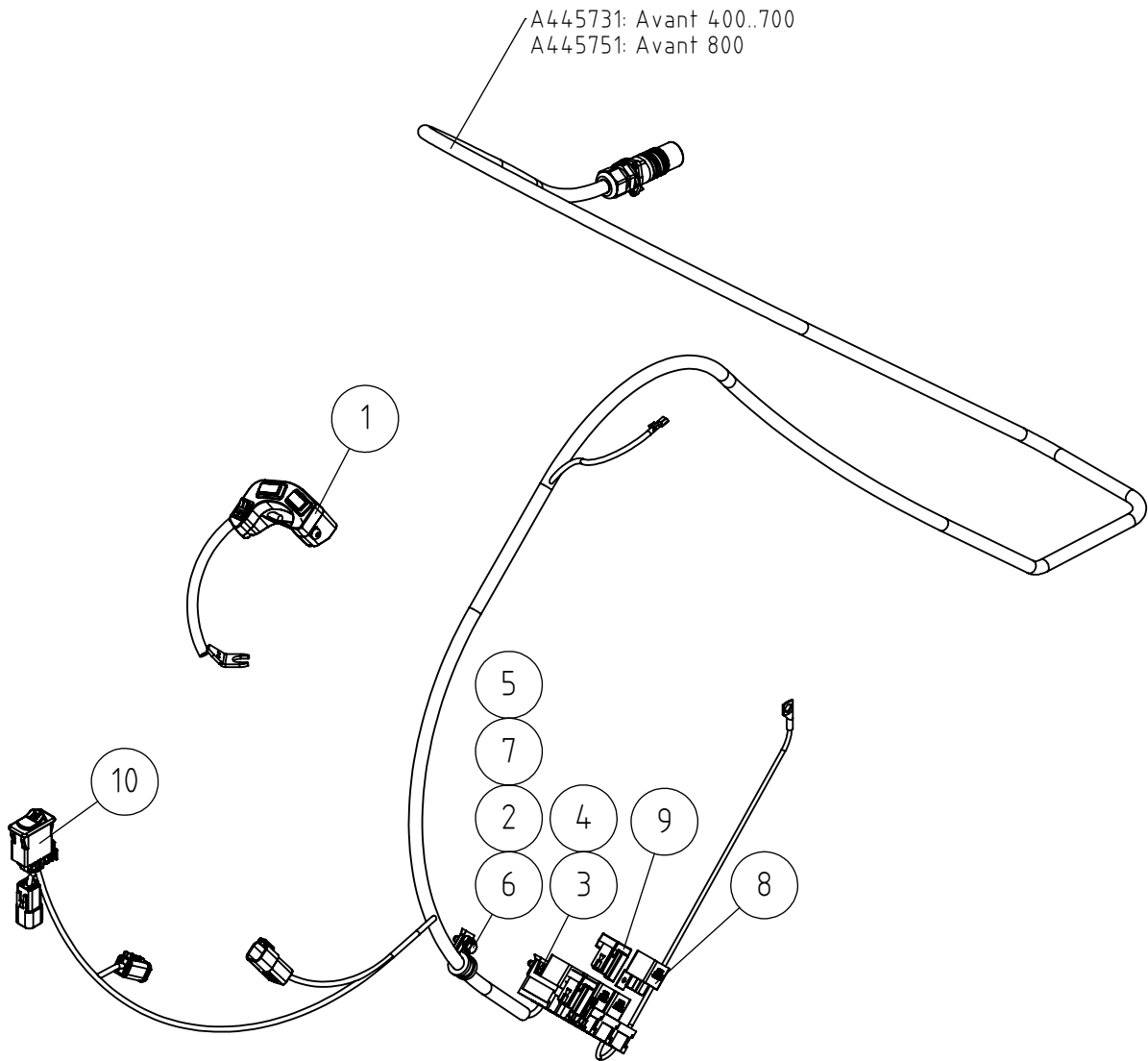
1 400-500srj/400-500-series: A425402

8.4.2024

**A47773 BOOM FLOATING, MACHINE WITHOUT SELF**

REF	PART NO	QTY	DESCRIPTION	NOTES	PAGE
1	A445641	1	HYDR. HOSE L=840		-
2	A445095	1	HYDR. HOSE L=880		-
3	64676	1	SOLENOID VALVE WK08W-01-SB3-N-12DG		-
4	64041	2	BASIC FITTING F40XS10-3/8 /8		-
5	64078	1	L-FITTING BODY R6XS10		-
6	A47841	1	WIRE HARNESS, BOOM FLOAT 600 SERIES		-
7	72125	2	HEXAGONAL SCREW M6* 60 DIN 921		-
8	72318	2	HEXAGONAL NUT M 6 DIN 985 NYLOC		-
9	71681	6	WASHER M6 DIN 440		-
10	71680	2	WASHER M6 DIN 125		-

# A36878 ATTACHMENT CONTROL SWITCH PACK



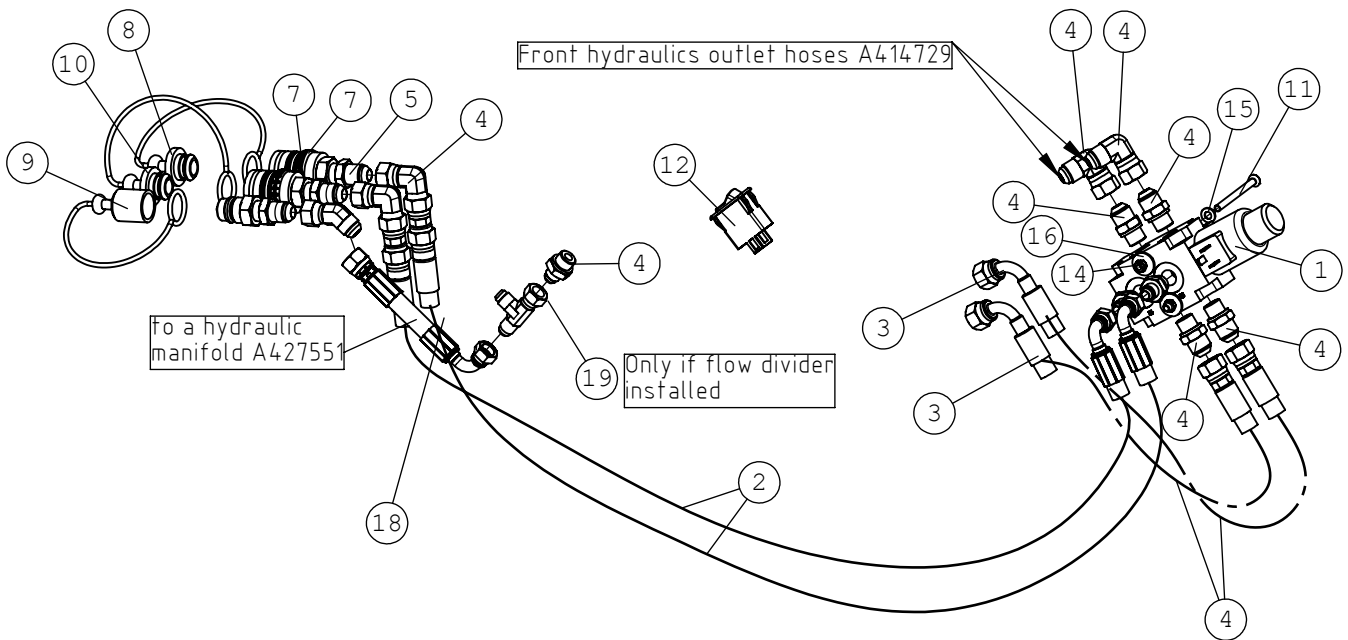
8.4.2024

**A36878 ATTACHMENT CONTROL SWITCH PACK**

REF	PART NO	QTY	DESCRIPTION	NOTES	PAGE
1	A34716	1	SWITCH PACK		-
1.1	65431	1	ROCKER SWITCH 0-1, BLACK, 180.1146		-
1.2	65408	2	ROCKER SWITCH, BLACK, JOYSTICK		-
2	71680	1	WASHER M6 DIN 125		-
3	72110	2	HEX. SCREW M5*16 DIN 933		-
4	75172	2	SPEED NUT M5 FOR 0.5-4.0 MM PLATE		-
5	74807	1	SPEED NUT M6, FOR 0.5-4.0 MM PLATE		-
6	72118	1	HEXAGONAL SCREW M6*20 DIN 933		-
7	74837	1	PIPE CLAMP F14 MM		-
8	64679	5	RELAY 12V 20/30A		-
9	A437313	2	DIODE 4A 600V WITH CONNECTOR		-
10	A437343	1	ROCKER SWITCH OPTICONTROL		-
11	A443240	1	WIRE HARNESS OPTICONTROL		-
12	A445731	1	CONNECTING CABLE OPTICONTROL L=3100		-
13	A445751	1	CONNECTING CABLE OPTICONTROL L=3800		-

8.4.2024

# A35881 REAR AUX. HYDR. OUTLET, DOUBLE ACTING

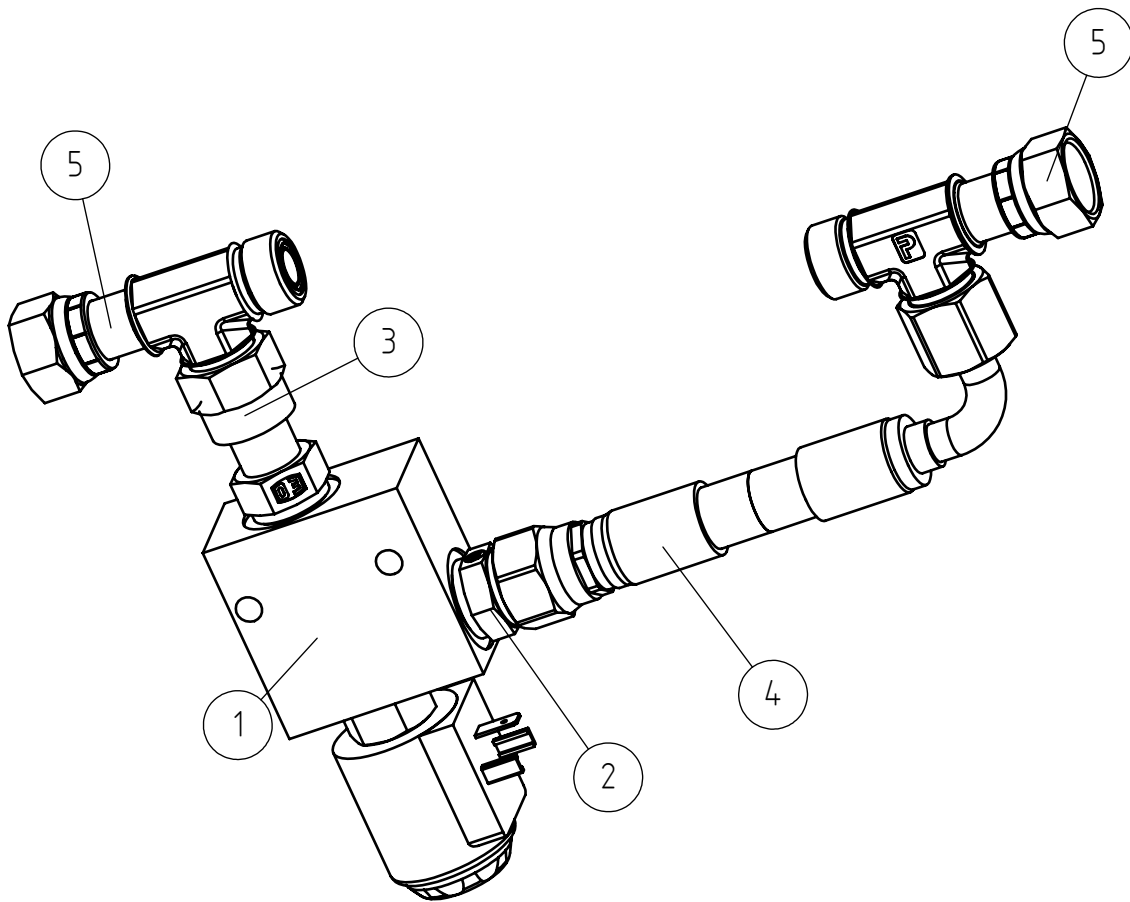


8.4.2024

**A35881 REAR AUX. HYDR. OUTLET, DOUBLE ACTING**

REF	PART NO	QTY	DESCRIPTION	NOTES	PAGE
1	65099	1	SELECTOR VALVE DFE100/6 12VDC		-
1.1	A430809	1	SOLENOID 12VDC		-
2	A47918	2	HYDR. HOSE L=3400		-
3	A47730	2	HYDR. HOSE L=600 2LW-06 JIC12-JIC12 90DG		-
4	64041	3	BASIC FITTING F40XS10-3/8 /8		-
5	64190	2	QUICK COUPLING PART 1/2" 2V54-T5X4 FEMAL		-
6	64189	1	QUICK COUPLING MALE UNION 1/2" 4V14-T5X4		-
7	74769	4	SEEGER RING A 38*1,75 DIN 471		-
8	73754	1	RUBBER PLUG 1/2", TO FEMALE QUICK COUPLE		-
9	73753	1	COVER 1/2" TO MALE QUICK COUPLER		-
10	65133	1	RUBBER COVER, RED, QUICK COUPLER		-
11	74861	2	CROSS-SLOT COUNTRS. HEAD SCREW M6*80		-
12	65278	1	ROCKER SWITCH, HYDR. REAR LIFT		-
13	A49452	1	WIRE HARNESS, REAR AUX. HYDRAULICS		-
14	72318	2	HEXAGONAL NUT M 6 DIN 985 NYLOC		-
15	74768	2	WASHER CONICAL M6		-
16	71681	2	WASHER M6 DIN 440		-
17	64884	1	ELBOW FITTING 45 DEGR. V6SX12		-
18	A429507	1	HYDR. HOSE L=1600		-
19	64078	1	L-FITTING BODY R6XS10		-

# A411326 DRIVE RELEASE VALVE 400 SERIERS





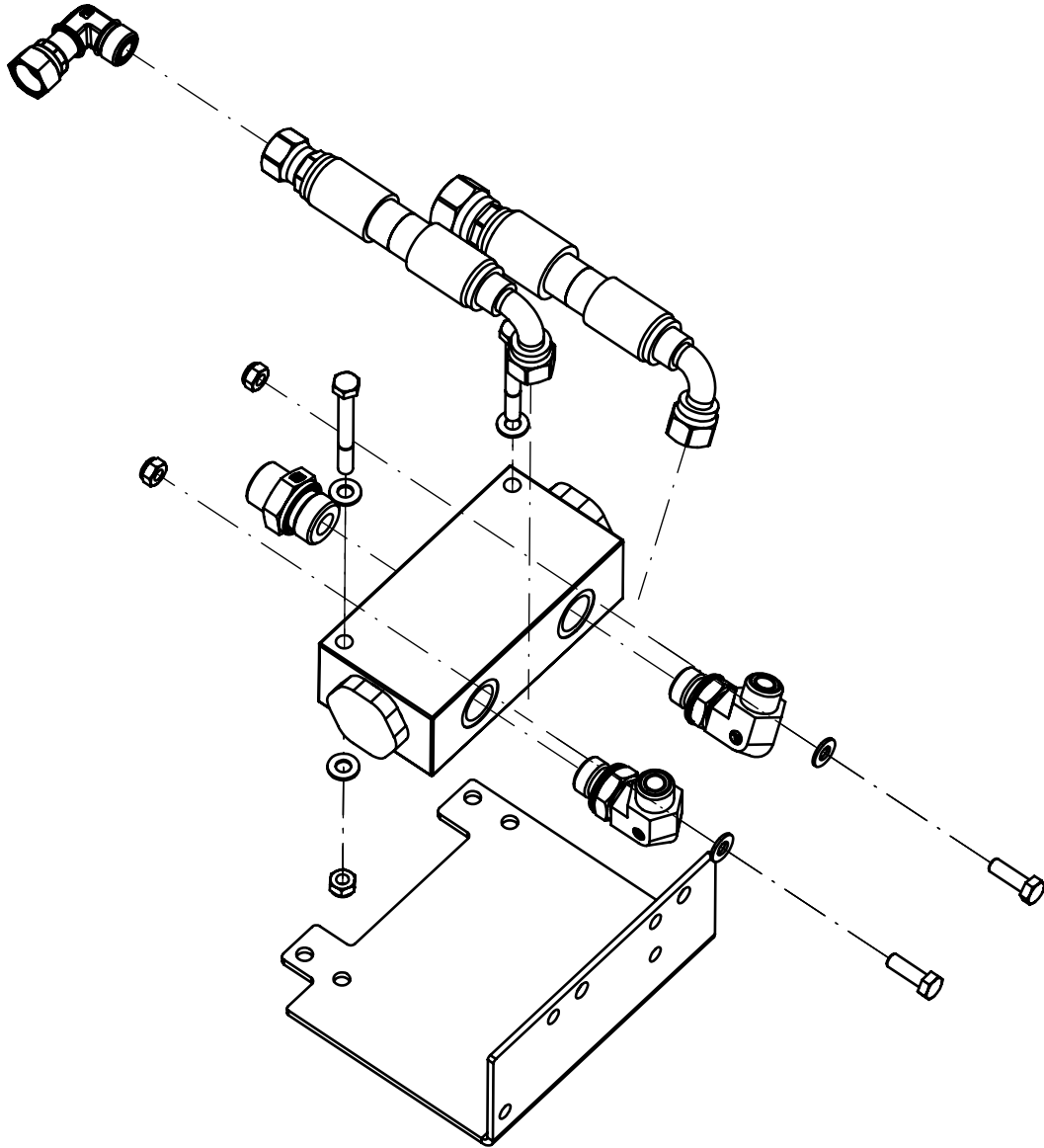
8.4.2024

**A411326 DRIVE RELEASE VALVE 400 SERIERS**

REF	PART NO	QTY	DESCRIPTION	NOTES	PAGE
1	64676	1	SOLENOID VALVE WK08W-01-SB3-N-12DG		-
2	65312	1	BASIC FITTING 8F42EDMLOS		-
3	65324	1	CONNECTOR NIPPLE 8F642EDMLS		-
4	A411398	1	HYDR. HOSE L=280		-
5	65337	2	L FITTING 8R6MLOS		-

8.4.2024

# A34753 ANTI SLIP VALVE 400 SERIES

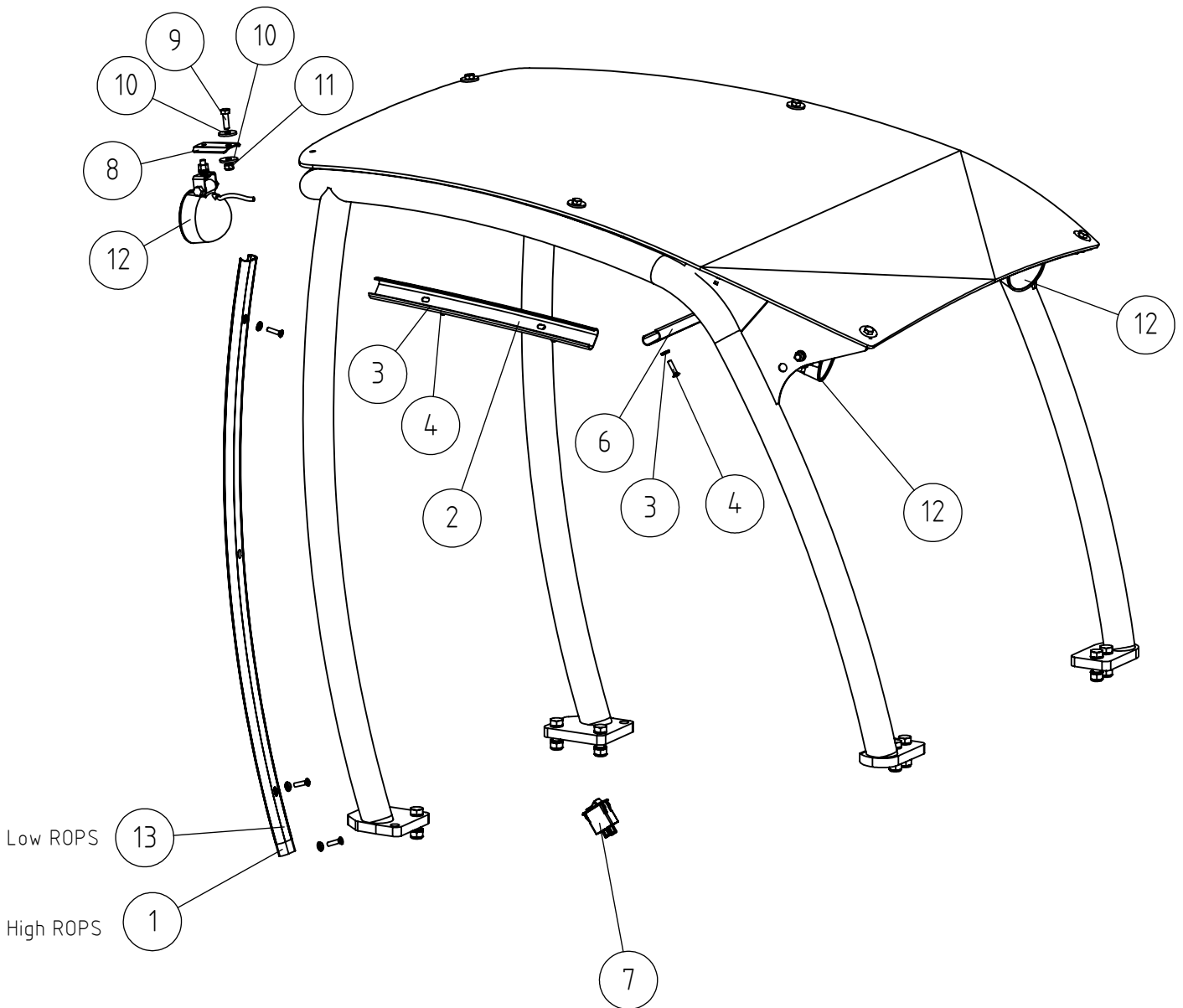


8.4.2024

**A34753 ANTI SLIP VALVE 400 SERIES**

REF	PART NO	QTY	DESCRIPTION	NOTES	PAGE
1	72141	2	HEXAGONAL SCREW M8*70 DIN 931		-
2	73122	6	WASHER M8 A8,4 DIN 125 ZN		-
3	72320	4	HEXAGONAL NUT M8 NYLOC DIN 985		-
4	72132	2	HEXAGONAL SCREW M 8*25 DIN 933 ZN		-
5	65313	1	BASIC FITTING 10-12F42EDMLOS		-
6	65290	2	ELBOW FITTING 90 DEGR. 8-8C40MLOS		-
7	A411512	1	HYDR. HOSE L=300		-
8	A411239	1	FLOW DIVIDER VALVE FD4WD150-6412-		-
9	A411393	1	HYDR. HOSE L=300		-
10	65300	1	ELBOW FITTING 90DEGR. 8C6MLOS		-
11	A413373	1	BRACKET, ANTI SLIP VENTIL		-

# A33916 WORK LIGHT KIT, 3 LED LIGHTS 700 LUMEN



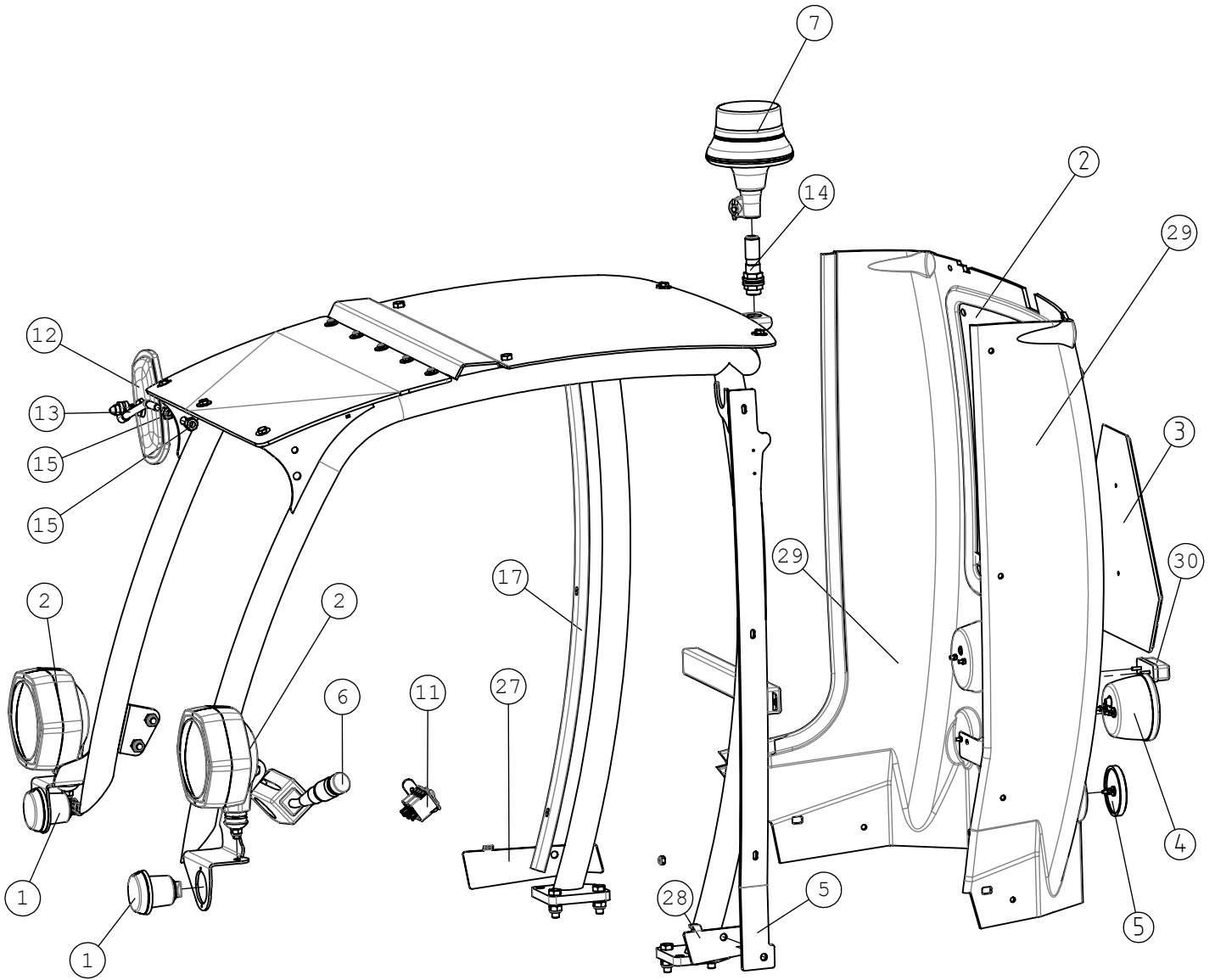
8.4.2024

**A33916 WORK LIGHT KIT, 3 LED LIGHTS 700 LUMEN**

REF	PART NO	QTY	DESCRIPTION	NOTES	PAGE
1	A49080	1	COVER STRIP, SIDE		-
2	A49079	1	COVER STRIP, MIDDLE		-
3	74768	8	WASHER CONICAL M6		-
4	A426199	8	CROSS-SLOT COUNTRS. HEAD SCREW M6*25		-
5	A33337	1	WIRE HARNESS, WORK LIGHT		-
6	A49077	1	COVER STRIP, UPPER		-
7	65066	1	SWITCH, WORK LIGHT		-
8	A410086	1	BRACKET, WORK LIGHT		-
9	72132	1	HEXAGONAL SCREW M 8*25 DIN 933 ZN		-
10	71685	2	WASHER M8 R9 DIN 440 ZN		-
11	72320	1	HEXAGONAL NUT M8 NYLOC DIN 985		-
12*	66068	3	WORK LIGHT LED 700 LUMEN 12V/12W COBO	700 lumen	-
12**	A419163	3	WORK LIGHT LED 2500 LUMEN WITH CONNECTOR	2500 lumen	-
13	A450714	1	COVER STRIP SIDE SHORT		-

8.4.2024

# A34614 ROAD TRAFFIC LIGHT KIT 400 SERIES



8.4.2024

**A34614 ROAD TRAFFIC LIGHT KIT 400 SERIES**

REF	PART NO	QTY	DESCRIPTION	NOTES	PAGE
1	64849	2	BLINKER		-
2	A433943	2	HEADLIGHT/POSITION LIGHT HEXAGONAL 12V		-
3	A439025	1	MOUNTING BRACKET LIGHT RIGHT AVANT 400		-
4	A439026	1	MOUNTING BRACKET LIGHT LEFT AVANT 400		-
5	A411588	1	DOOR FRAME 420		-
6	64851	1	LIGHTS/BLINKERS LEVER SWITCH		-
7	A435335	1	BEACON, ORANGE WITH LED LIGHT 11W		-
8	65037	1	WARNING TRIANGLE SLOW MOVING VEHICLE		-
9	A49059	1	BRACKET, BEACON		-
10	65064	1	SWITCH, WARNING BLINKER		-
11	65065	1	SWITCH, BEACON		-
12	64389	1	SIDE MIRROR CONVEX GLASS 185*135 MM		-
13	A411594	1	ARM, SIDE MIRROR		-
14	65058	1	BRACKET (PIN), BEACON		-
15	72323	2	HEXAGONAL NUT M12 DIN 934		-
16	A49079	1	COVER STRIP, MIDDLE		-
17	A49080	1	COVER STRIP, SIDE		-
18	72318	2	HEXAGONAL NUT M 6 DIN 985 NYLOC		-
19	72320	2	HEXAGONAL NUT M8 NYLOC DIN 985		-
20	74767	2	RAISED COUNTERSUNK HEAD SCREW M6*20		-
21	74768	2	WASHER CONICAL M6		-
22	72130	2	HEXAGONAL SCREW M8*20		-
23	A21221	1	WIRE HARNESS, ROAD TRAFFIC LIGHT KIT		-
24	72143	1	HEX. SCREW M8*80 DIN 931		-
25	74778	1	PAN HEAD SCREW M3*20		-
26	74535	1	HEXAGONAL NUT M3		-
27	A411571	1	SUPPORT, RIGHT SIDE		-
28	A411570	1	SUPPORT, LEFT SIDE		-
29	A34974	1	REAR PLATE COMPLETE,ROAD TRAFFIC KIT 400		-
30	A411791	1	LIGHT, LICENCE PLATE		-
31	A411323	1	FOPS + ROPS SAFETY FRAME 400 SERIES		-
32	A435070	1	SLOW MOVING VEHICLE TRIANGLE 430X45X30		-
33	A416720	1	MOUNTING PLATE, REAR PANEL, R SERIES		-





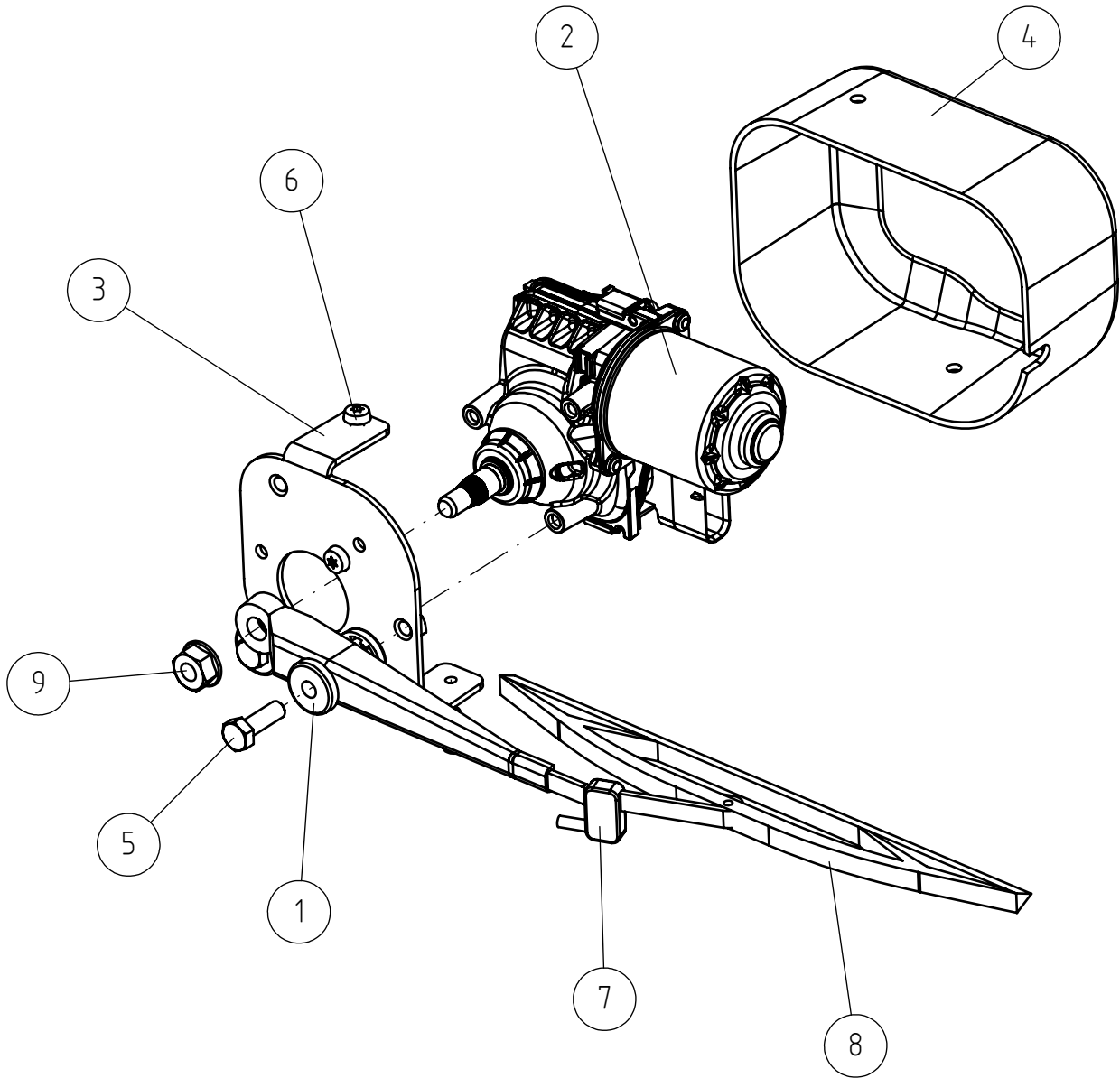
8.4.2024

**A444002 CAB L, 400 SERIES**

REF	PART NO	QTY	DESCRIPTION	NOTES	PAGE
1	A411568	1	ROOF PLATE, 400 SERIES		-
2	A411525	1	BRACKET, WINDSCREEN		-
3	A410060	1	BRACKET		-
4	A49699	4	MOUNTING BRACKET ONE SIDED		-
5	A411570	1	SUPPORT, LEFT SIDE		-
6	A411571	1	SUPPORT, RIGHT SIDE		-
7	A411588	1	DOOR FRAME 420		-
8	A411608	1	BRACKET		-
9	A33448	1	WINDSCREEN WASHER		-
10	74767	7	RAISED COUNTERSUNK HEAD SCREW M6*20		-
11	74768	7	WASHER CONICAL M6		-
12	74787	2	CROSS HEAD SCREW M5*20		-
13	72130	9	HEXAGONAL SCREW M8*20		-
14	74526	7	WASHER M8 8,4*25*1,5 ZN		-
15	72151	4	HEXAGONAL SCREW M10*30 DIN 933 ZN		-
16	73121	4	WASHER M10 A10,5 DIN 125 ZN		-
17	72322	4	HEXAGONAL NUT M 10 NYLOC DIN 985		-
18	72320	9	HEXAGONAL NUT M8 NYLOC DIN 985		-
19	72318	7	HEXAGONAL NUT M 6 DIN 985 NYLOC		-
20	71681	5	WASHER M6 DIN 440		-
21	64986	1	EMERGENCY HAMMER HAPPICH RED		-
22	A432729	1	BRACKET, EMERGENCY HAMMER 64986		-
23	A412133	1	COVER PLATE, FRONT CENTER		-
24	A48000	1	LID		-
25	64941	1	FINGER SCREW M6*20 R3015RM620S		-
26	A412299	1	REAR WALL WITH WINDOW CAB L 400 SERIES		-
27	A411021	1	DECAL "EMERGENCY EXIT"		-
28	64865	1	GROMMET F18/12/9,51-3		-
29	A444057	1	WINDSCREEN WIPER ASSEMBLY CAB L 400		90
30	A444085	1	WINDSCREEN ASSEMBLY CAB L 400 SERIES		-
31	A444100	1	WINDOW, RIGHT, ASSEMBLY, CAB L 400		-

8.4.2024

# A444057 WINDSCREEN WIPER ASSEMBLY CAB L 400



8.4.2024

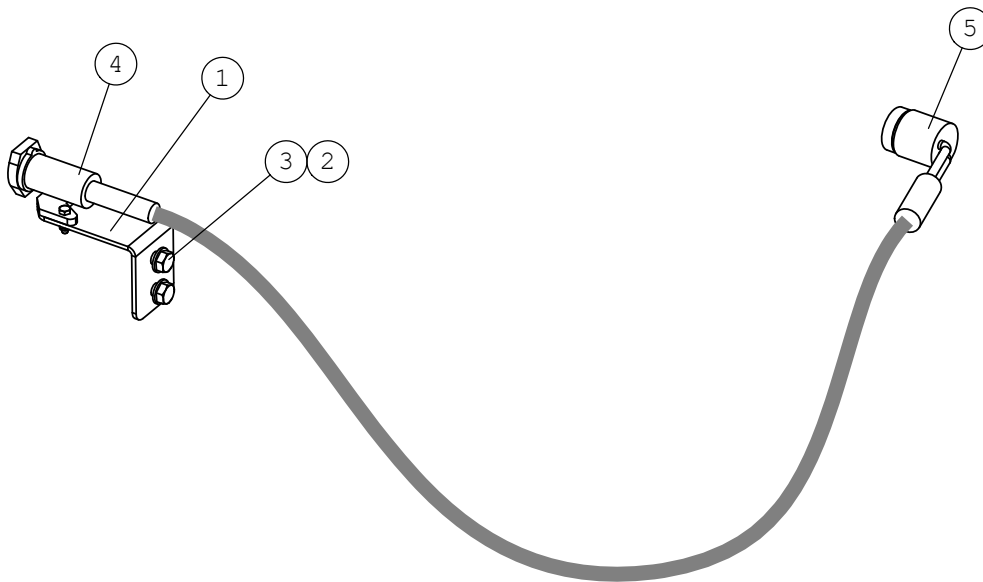
**A444057 WINDSCREEN WIPER ASSEMBLY CAB L 400**

REF	PART NO	QTY	DESCRIPTION	NOTES	PAGE
1	A441784	4	BUSHING PLASTIC D16,9/D8 - L8,1		-
2	A444058	1	ELECTRIC MOTOR PROGRAMMED WINDSCREEN		-
3	A440457	1	BRACKET MOTOR WINDSCREEN WIPER		-
4	A440716	1	COVER MOTOR WINDSCREEN WIPER		-
5	A427795	2	HEXAGONAL SCREW M8*25 DIN 933 8.8		-
6	A437544	4	THREAD-FORMING SCREW BLACK M6*16 DIN		-
7	A443723	1	ARM, WINDSCREEN WIPER M10 L=263 WITH		-
8	65422	1	WIPER BLADE L=300 MM DOGA		-
9	74783	1	HEXAGONAL NUT M10 WITH FLANGE		-

8.4.2024

---

# A425277 ENGINE BLOCK HEATER, KIT, 423/523



8.4.2024

**A425277 ENGINE BLOCK HEATER, KIT, 423/523**

REF	PART NO	QTY	DESCRIPTION	NOTES	PAGE
1	A423523	1	MOUNTING BRACKET, SOCKET ENGINE HEATER		-
2	73122	4	WASHER M8 A8,4 DIN 125 ZN		-
3	72130	2	HEXAGONAL SCREW M8*20		-
4	64470	1	CONNECTING LEAD DEFA 460992 BLOCK HEATER		-
5	65727	1	HEATER ELEMENT 300W, ENGINE BLOCK HEATER		-
6	73458	2	HEX. SCREW M4*16 DIN 933 ZN		-
7	72313	2	HEXAGONAL NUT M4 DIN 985 NYLOC		-
8	72319	2	HEXAGONAL NUT M8 DIN 934		-
9	65171	1	CONNECTING CABLE 2,5 M ENGINE BLOCK HEAT		-

# **AVANT<sup>®</sup>**

## **Varaosat Spare parts**

Manufacturer:

**AVANT<sup>®</sup>**  
**AVANT TECNO OY**  
e-mail: [sales@avanttecho.com](mailto:sales@avanttecho.com)

Ylötie 1  
33470 Ylöjärvi  
FINLAND  
Tel. +358 3 347 8800  
Fax +358 3 348 5511